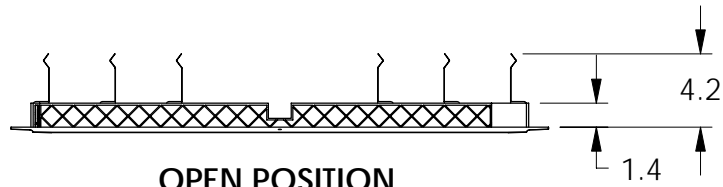
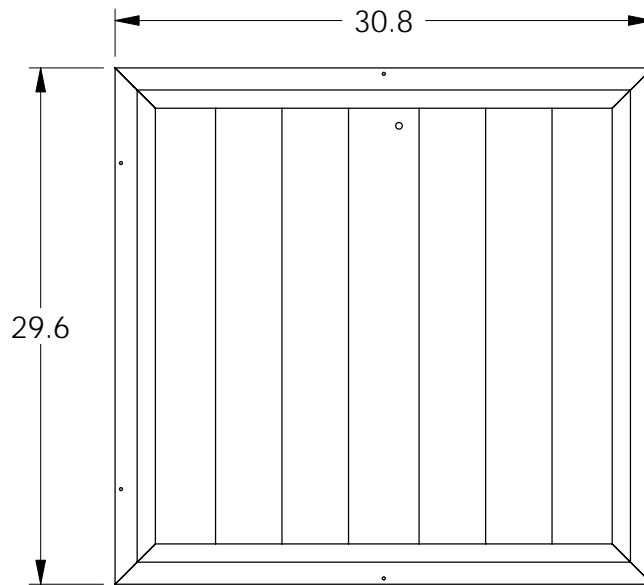


ATTIC VIEW - CLOSED



OPEN POSITION



CEILING VIEW - CLOSED

NOTES:

1. CEILING JOISTS AT STANDARD 16" CENTERS
2. SHUTTER REQUIRES FRAMED OPENING TO BE 27-3/4" x 29"

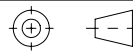
AIR VENT INC. DALLAS, TEXAS

DIMENSIONS ARE IN INCHES
UNLESS OTHERWISE SPECIFIED
DO NOT SCALE DRAWING

DESCRIPTION:
24" DD WHF SHUTTER

DRAWING NUMBER:
C-54716

PREP: J.FIGUEROA
DATE: 03-30-05



THIRD ANGLE PROJECTION

MODEL NUMBER:
SHT24W