

"ITEMS NEEDED FOR INSTALLATION"
 KEYHOLE SAW OR SABER SAW
 UTILITY KNIFE
 DRILL WITH 1/2" BIT
 HAMMER AND ROOFING NAILS
 TAPE MEASURE
 ROOFING CEMENT
 COMPASS OR STRING

Thank you for your patronage in purchasing the LOMANCO 770D Roof Vent. The 770D is an exhaust vent that will help eliminate damaging heat and moisture from your attic when properly installed with intake vents.

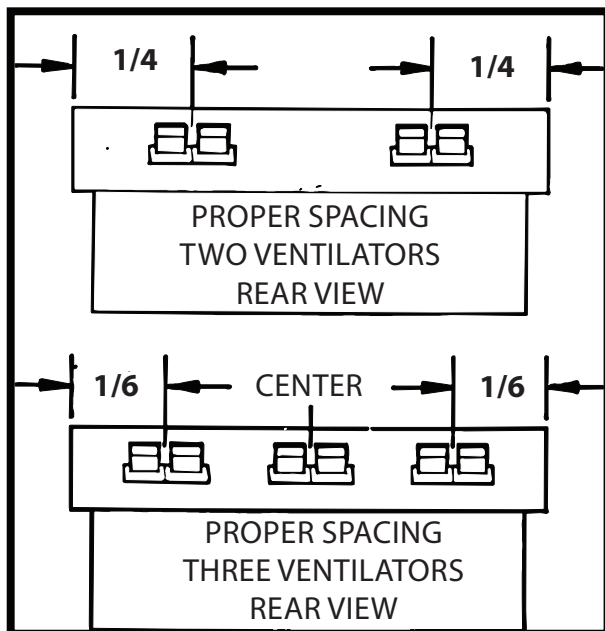
IMPORTANT

1. READ THESE INSTRUCTIONS CAREFULLY BEFORE STARTING INSTALLATION.

- Installation of the Lomanco 770D Roof Vent should comply with all local codes and standards.
- WARNING! Sharp edges are exposed during installation. Use gloves and other appropriate safety equipment to avoid injury.

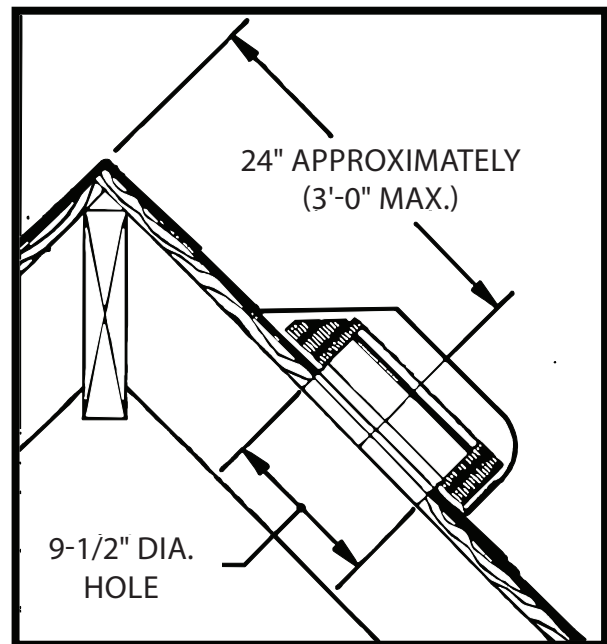
INSTALLATION:

- Aesthetically it is best to locate vents on the rear slope of the house. You also want to center vents on the roof length. (If you are installing two vents, locate each one 1/4 the distance from each end of roof. When installing three vents locate one in the center and the other two 1/6 the distance from each end of roof.)
- The seam of base should be centered on rafter



centerline. Locate rafter by tapping roof with hammer. Measure over 7-11/16" each side of rafter centerline. Mark these positions.

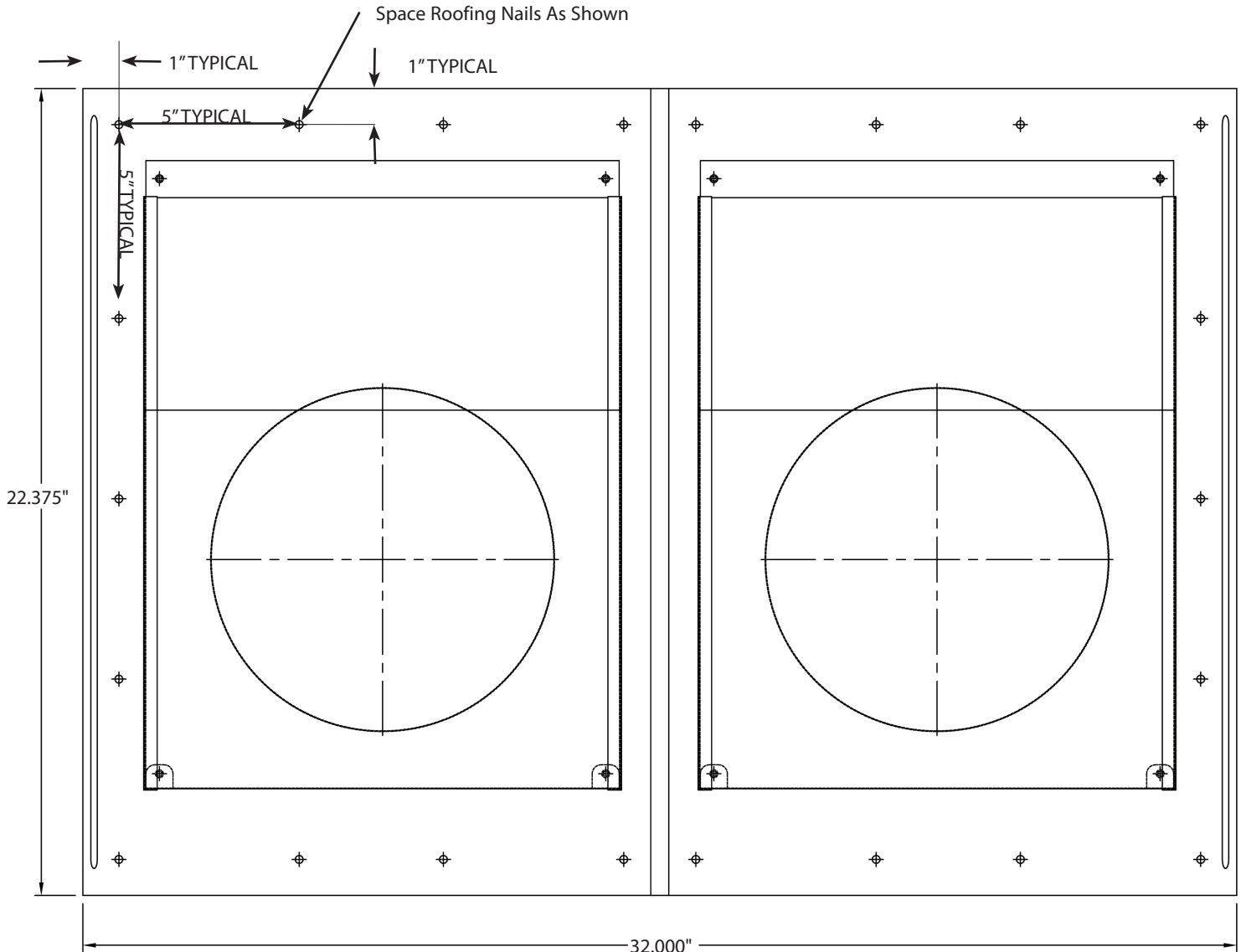
- Warm air rises; therefore, you want to locate roof vents as near as possible to the ridgeline. Locate the vent holes roughly 24" (36" Max.) down from the ridgeline to keep the top of the roof vent below the ridgeline. Mark this position. Vent location position should now be approximately 24" down from ridgeline and centered over rafter.
- Using marked positions as center point scribe two 9-1/2" diameter circles. Drill a starter holes inside circles, a 1/2" drill bit should do this nicely.



- Starting in the drill holes cut two 9 1/2' diameter circular openings, using either a keyhole saw or an electric saber saw with sharp coarse blade. If you do not have a coarse blade, cut away shingles inside the circle with utility knife before cutting roof decking. Take care not to make the holes too large or water leakage may occur.

LOMANCO 770D ROOF VENT INSTALLATION INSTRUCTIONS

- Carefully remove roofing nails from top row of shingles so that the flashing of the roof vent will slide under top row.
- Apply roofing cement around the edge of the hole at the top and sides.
- Carefully slide vent into place with arrow pointing up. Make sure throat of vent is centered over vent hole. Fasten the base to roof decking with roofing nails as shown below. Keep heads of nails under shingles to prevent water leakage.
- Finish mounting by sealing all seams and nails with roofing cement. Also use roofing cement to fasten down loose edges of shingles.



1 Install all Exhaust Ventilation at the SAME HEIGHT within a common attic area. Installation of exhaust vents at more than one level on a roof allows the upper exhaust vent to pull air in from lower exhaust vents rather than from the intake vents. Intake air must come from intake vents located near the lower part of the attic space to properly ventilate the total attic area and eliminate weather infiltration.

THREE MUST DO Steps to attic ventilation

2 Install ONLY ONE TYPE of Exhaust Ventilation within a common attic area. Exhaust Vents pull air from the easiest intake source. Vent types cannot be mixed. The use of different types of exhaust vents could make one of the vents act as intake for the other. Intake air must come from intake vents located near the lower part of the attic space to properly ventilate the total attic area and eliminate weather infiltration.

3 Install a BALANCED SYSTEM of Intake and Exhaust Ventilation. **50% Intake Ventilation** - Intake vents located near the lower part of the attic area are required to balance out your ventilation system. **50% Exhaust Ventilation** - Use a Lomanco Ventilation Selector Guide, or the calculators at lomanco.com to determine the number of vents needed to properly ventilate an attic to meet the Ventilation Minimum Property Standard.

22050_0513