

# FOR ALL SEASONS



# Marathon Roofing Products

*Proven performance  
in extreme conditions.*

## Breather and Vent General Installation Instructions...

**General installation instructions for BUR are as follows:** Select a location over an insulation joint. Cut a 4" hole through felts and insulation. Make sure that the vapor barrier is not punctured. Center the vent over the opening making sure that the opening is free of debris and set in asphalt cement. Flash base flange with 2 plys of felt and asphalt cement. Extend first ply 6" beyond flange and second 9". Pour flood coat of asphalt to base of roof vent. For other roofing systems follow manufacturers' specifications.

**For Further Technical Information...or The Name of Your Nearest Distributor...**

**Call Toll Free 1.800.828.8424**

## INSULATION VENTS

### One Way or Two Way

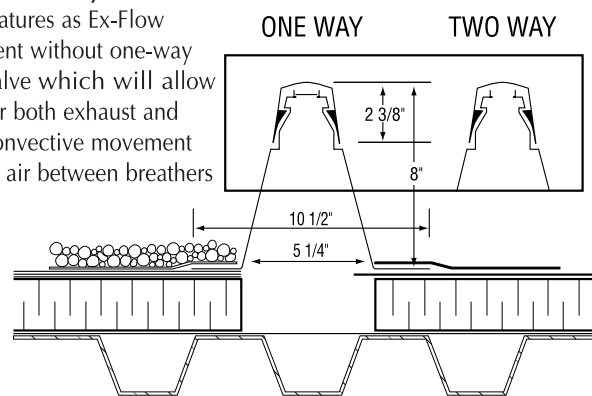
- Available in high-density polyethylene (black) for BUR and modified bitumen applications or U.V. stabilized PVC (white) for PVC membrane and polyurethane foam applications
- Locking, vandal-proof cap prevents entry of wind-blown rain or snow
- Inexpensive, simple & easy to install

**One Way -**  
Special one-way nitrile rubber valve prevents moisture from re-entering roofing system



### M-105 INSULATION BREATHER

**Two Way -** Same features as Ex-Flow Vent without one-way valve which will allow for both exhaust and convective movement of air between breathers



## STANDARD BREATHERS

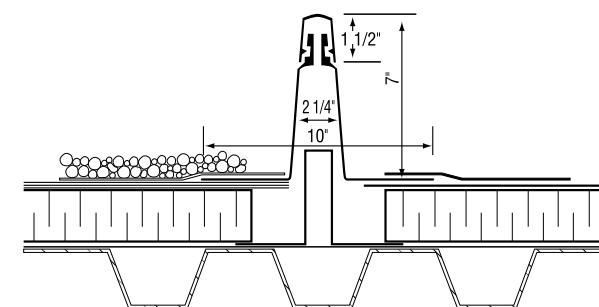
### Two Way Only

- Economical two-way breather used for venting all types of insulation
- Molded from tough, high density polyethylene
- Easily installed with all BUR and modified bitumen roofing systems
- Locking cap prevents entry of wind-blown rain or snow
- Optional flute core allows for ventilation on the underside of the insulation

**Two Way -** Allows for both exhaust and convective movement of air between breathers



### STANDARD BREATHER



PRODUCT SPECIFICATIONS	OVERALL HEIGHT	BASE OPENING	BASE OPENING WITH INSULATION INSERT	FLANGE DIAMETER	FLANGE MATERIAL	RECOMMENDED SPACING
ALUMINUM INSULVENTS	8 1/2 in. 216mm	4 in. 102mm	3 in. 76mm	10 3/4 in. 273mm	Aluminum	1 Per 1000 sq. ft. 93m <sup>2</sup>
LC VENT (LARGE CAPACITY)	8 1/2 in. 216mm	8 in. 203mm	6 in. 152mm	13 in. 330mm	Aluminum	1 Per 1500 sq. ft. 139m <sup>2</sup>
XLC (EXTRA LARGE CAPACITY)	11 1/2 in. 292mm	12 1/2 in. 317mm	N/A	17 1/4 in. 438mm	Aluminum	1 Per 2000 sq. ft. 186m <sup>2</sup>
MC VENT (MEDIUM CAPACITY)	9 1/2 in. 241mm	6 1/2 in. 165mm	5 3/8 in. 136mm	10 in. 254mm	Aluminum	1 Per 1500 sq. ft. 139m <sup>2</sup>
PRE VENT (LARGE CAPACITY)	9 in. 229mm	10 1/4 in. 254mm	N/A	14 3/4 in. 375mm	PVC	1 Per 2000 sq. ft. 186m <sup>2</sup>
EX-FLOW INSULATION VENT	8 in. 203mm	5 1/4 in. 133mm	N/A	10 1/2 in. 267mm	HDPE or PVC	1 Per 1000 sq. ft. 93m <sup>2</sup>
M-105 INSULATION BREATHER	8 in. 203mm	5 1/4 in. 133mm	N/A	10 1/2 in. 267mm	HDPE or PVC	1 Per 1000 sq. ft. 93m <sup>2</sup>
STANDARD BREATHER	7 in. 178mm	2 1/4 in. 57mm	N/A	10 in. 254mm	HDPE	1 Per 1000 sq. ft. 93m <sup>2</sup>

# VENTS AND BREATHERS



# BREATHERS AND VENTS FOR ALL REASONS

## FEATURES:

- Provides pressure equalization in roof system
- Low cost, all-metal breather used for venting all types of insulation
- Spun from heavy gauge aluminum
- An extra wide base opening and security attached cap
- An optional foam insert is available to prevent moisture from condensing on the inside of the standpipe
- Simple & easy to install
- Unique cap design shields against entry of wind-blown rain or snow
- Flange may be coated with asphalt priming or PVC

**One Way** - Exclusive one-way valve design prevents moisture from re-entering roofing system

**Two Way** - Allows for both exhaust and convective movement of air

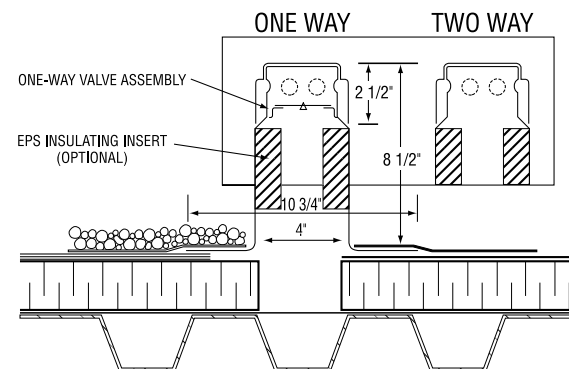
*Note: Some vents are supplied with caps unattached for ease of installation.*

## ALUMINUM INSULVENTS

Asphalt priming is available on all metal vent products. The concentrated bituminous coating is factory applied to provide a secure bonding of asphalt membranes to vent flanges.



### ALUMINUM INSULVENT



## XLC VENT

One Way & Two Way

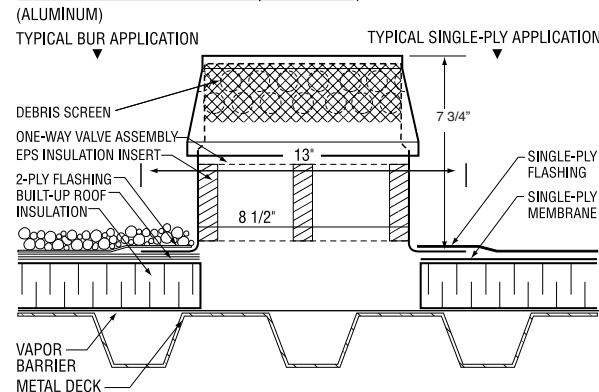


## LC VENT

One Way & Two Way

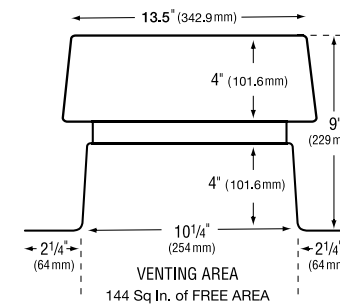
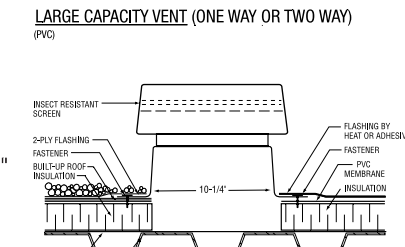
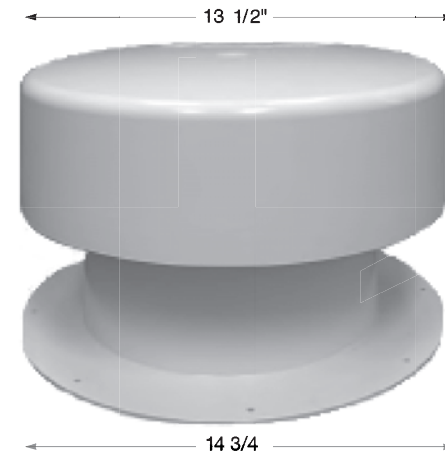


### LARGE CAPACITY VENT (ONE WAY)



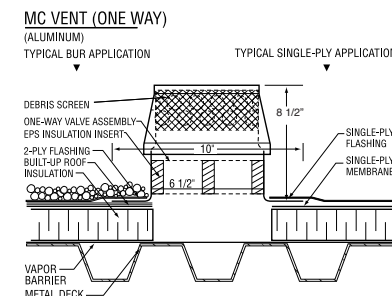
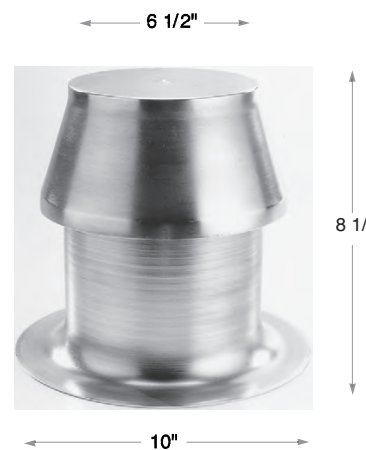
## PRE VENT

**Largest PVC Vent** in the industry that is available in One Way or Two Way. Ideal for use with quality heat weldable PVC membranes to provide secure flashing attachment. Design meets 1-300 National Venting Code and rated at 144 Sq" of venting area per unit.



## MC VENT

One Way & Two Way



## HIGH SECURITY VENTS

### Aluminum Roof Flashing

- Secures plumbing vent stacks
- Protects roof penetrations
- Reduces vandalism
- Simplifies installation
- Common school security application



## SOL-A-VENT

### Solar Powered Roof Vents

- Positive venting—rain or shine
- Continuous, non-stop exhaust flow—day or night!
- Powered by nature
- Hyper-sensitive solar cell provides earlier, longer ventilation
- Sol-A-Vent's superior design maximizes air flow, seals out water
- Trouble-free installation and durable materials let you rest easy...



### MS-LP Aluminum Low Profile

Available in a low profile style for applications where space or appearance limit using the taller standard.

### Universal Pitch SOL-A-VENT®

- Positive venting—rain or shine for flat or pitched roofs.
- Continuous, non-stop exhaust flow —day or night!
- Powered by nature
- Hyper-sensitive solar cell provides earlier, longer ventilation
- Sol-A-Vent's superior design maximizes air flow, seals out water
- Trouble-free installation and durable materials let you rest easy...

