

PARTS LIST

PORT-O-SLITTER[®] SLITTING & RIB FORMING SYSTEM

Parts (sold in sets)

Optional knives are necessary to perform some operations. Performing all operations at one time is not recommended. All sets include set screws.



**FOR VINYL
PERFORATING ROLLS**
1 1/2" SHAFT (#11475)
2" SHAFT (#11476)

Place male roll into grooves atop female roll. Slide both onto shafts as one unit with the male roll on top. Set provides 3 1/2 inches (89mm) of Net Free Area per foot (0.3m) on each pass of material through slitter.



**FOR ALUMINUM
PERFORATING ROLLS**
1 1/2" SHAFT (#11477)
2" SHAFT (#11478)

Place male roll into grooves atop female roll. Slide both onto shafts as one unit with the male roll on top. Set provides 3 1/2 inches (89mm) of Net Free Area per foot (0.3m) on each pass of material through slitter.



**HEAVY DUTY
PERFORATING ROLLS**
2" SHAFT (#11479)

Place male roll into grooves atop female roll. Slide both onto shafts as one unit with the male roll on top. Set provides 3 1/2 inches (89mm) of Net Free Area per foot (0.3m) on each pass of material through slitter.



**SLITTER KNIFE - HEAVY DUTY
FOR STEEL**
2" SHAFT (#11472)

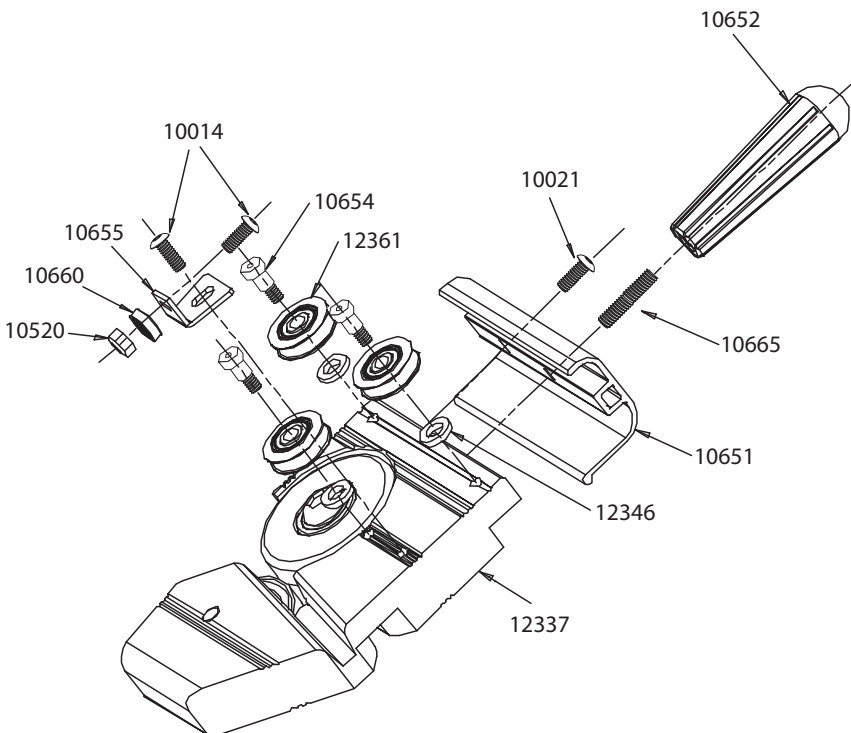


**FOR ALUMINIUM AND VINYL
SLITTER KNIFE**
2" SHAFT (#11395)
Standard on Port-O-Slitter



NYLON PINCH ROLLERS
2" SHAFT (#11405)

Pinch rollers are installed onto 2 inch (51mm) shafts, one directly above the other and aid in pulling materials through the slitter.



PORT-O-SLITTER CUT-OFF[®]

Item #	Description
10014	1/4 -20 5/8" Button Hd Screw
10021	1/4 -20 1" Button Hd Screw
10520	1/4 -20 Nylon Hex Nut
10651	SCO Cover
10652	24" SCO Handle
10654	1/4 -20 x 3/4" Shoulder Bolt
10655	Roller "L" Bracket
10660	SCO Guide Bearing
10665	SCO Handle Stud
12337	SCO Body with Knives **
12346	SCO Track Bearing Shim
12361	SCO Track Bearing (each)

**Please contact Customer Service if these parts need to be replaced.