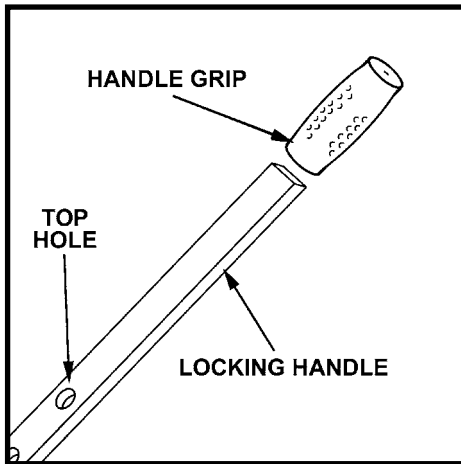


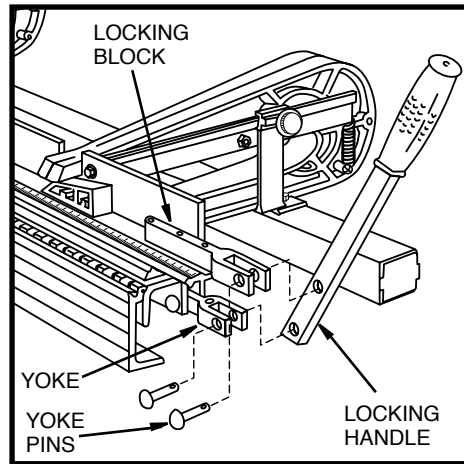
# “Windy” SP Port-O-Brake® SETUP INSTRUCTIONS



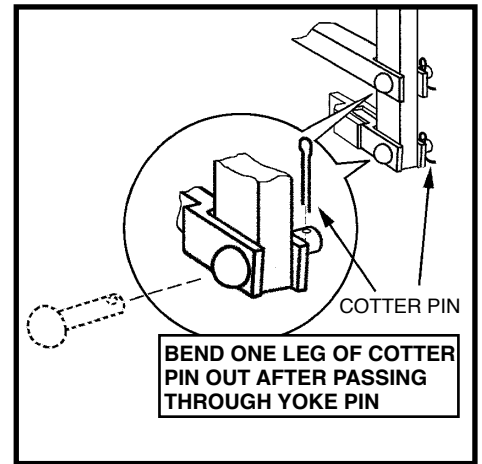
## Attaching the Locking Handle



**1** Remove Locking Handle and Handle Grip from parts bag. Press Grip over end of Locking Handle and slide down until Grip is firmly seated. Remove rest of parts from bag and proceed to next step.

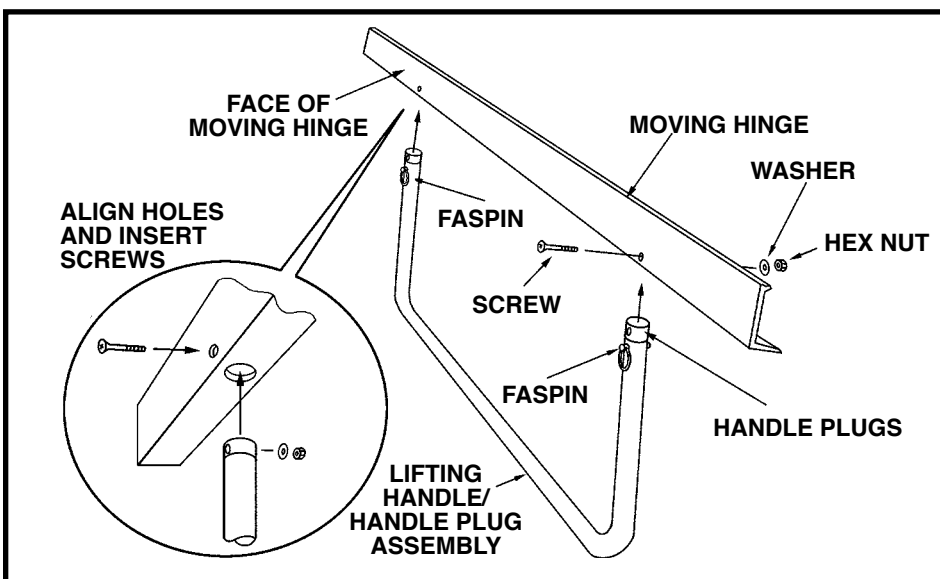


**2** Insert bottom end of Locking Handle into the bottom Yoke on right side of Port-O-Brake.® Align holes and insert Yoke Pin. Align top hole in Handle with holes in Locking Block of Slide Bar and insert second Yoke Pin.



**3** Insert Cotter Pins through holes in ends of both Yoke Pins. Bend one leg of each cotter pin forward to secure Yoke Pin.

## Setting Up the Lifting Handle



**1** Insert the ends of the Lifting Handle/Handle Plug Assembly up through the holes in the bottom of the Moving Hinge. Align holes in the Handle Plugs with the holes located in the face of the Moving Hinge.

**2** With holes aligned, insert screws through Moving Hinge and into Handle Plugs. Place washers over ends of screws in back and tighten with hex nuts. Handle can now be detached from Handle Plugs by removing Faspins.