

# ACCESSORIES FOR YOUR “WINDY” SP PORT-O-BRAKE®

## Pro-Coiler™

*The portable coil holder that becomes an integral part of your “Windy” SP Port-O-Brake®*

- Keeps the coil off the ground and always in front of you
- Helps ensure you get straight cuts all the time
- Helps increase production and eliminate waste
- Holds 24” wide by 100’ coil



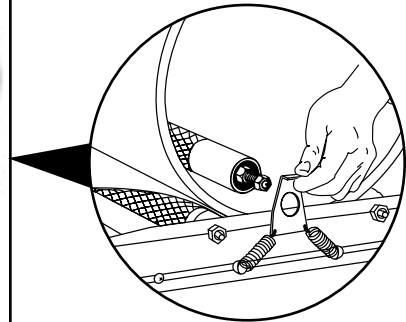
“Windy” SP Port-O-Brake® with optional accessories: Pro-Coiler and Light Duty Folding Legs



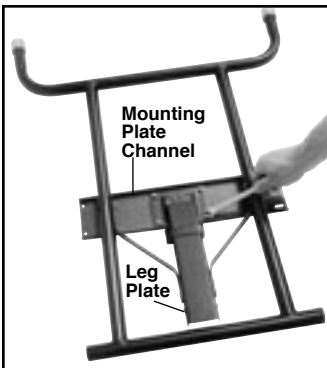
Hooks on and detaches in seconds. Allows you to roll out and cut coil squarely to your exact length.



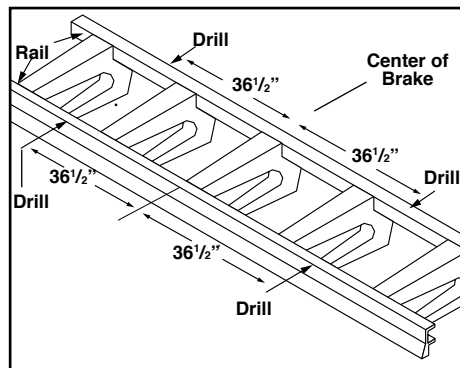
Change coils quickly by simply unhooking Roller Clip at one end and inserting new coil.



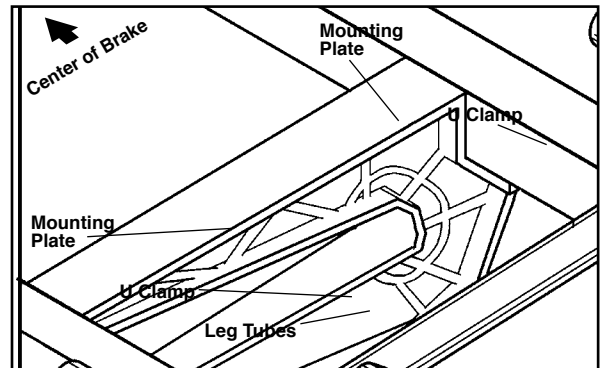
## Installing the Light Duty Folding Legs



**1** Position leg plates into mounting plate channels, align holes and install nuts and bolts provided.



**2** Invert Brake. From center of Brake, measure outward along each rail 36 1/2” and drill one pilot hole in center of each rail using an 11/64” drill bit.



**3** Set legs onto Brake with leg tubes near drilled pilot holes. Place “U” clamps over leg tubes, align holes and install sheet metal screws. Drill re-maining holes through clamps and install screws. Install screws also in mounting plates as shown.