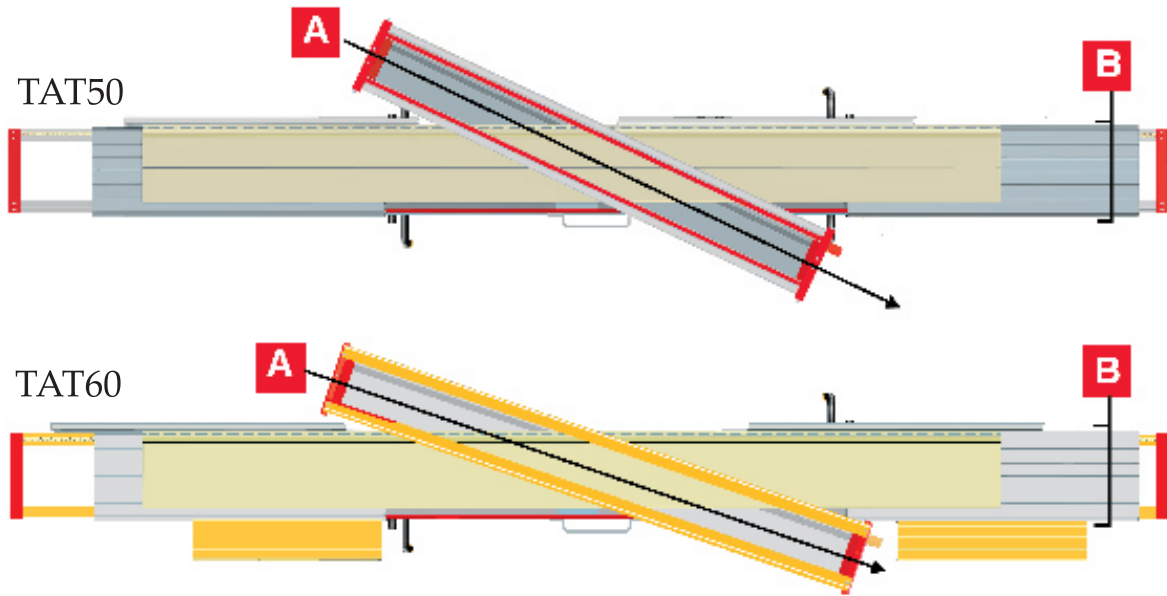
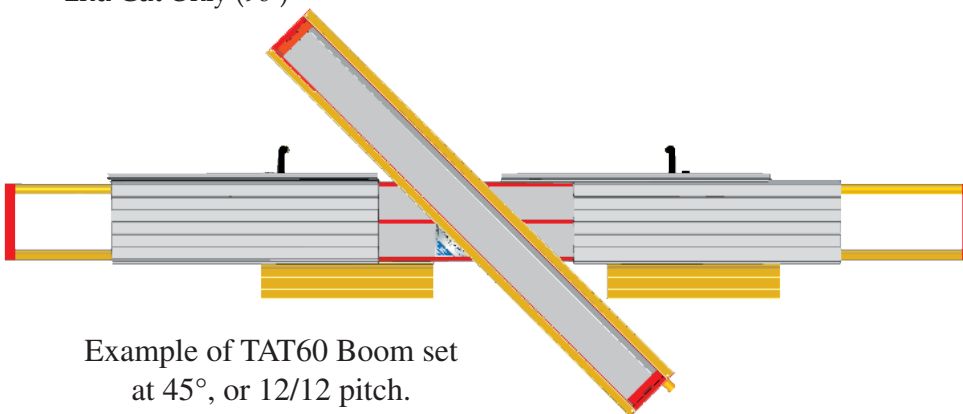


Saw Table Comparison



A	B	
	Maximum Material Width	
Degree / Pitch	TAT 60	TAT50
10° - 2/12	9 1/4"	6 3/4" *
14° - 3/12	12 3/4"	8 1/2"
18° - 4/12	15 1/2"	13 3/8"
22° - 5/12	17 3/4"	15 1/4"
26° - 6/12	19 7/8"	16 3/4"
30° - 7/12	21 1/2"	17 3/4"
34° - 8/12	22 5/8"	18 3/4"
45° - 12/12	26 5/8"	21 3/4"
90° - 0/0	34 1/2"	27"

*End Cut Only (90°)



Example of TAT60 Boom set at 45°, or 12/12 pitch.

