

Wheel Kit Installation

Note: Always wear approved safety goggles when installing this product. For your convenience, a no. 2 drill bit has been included.

Determine base rail type, then read those steps before proceeding.



Hollow Core
1 thru 8



I-Beam
1 thru 9



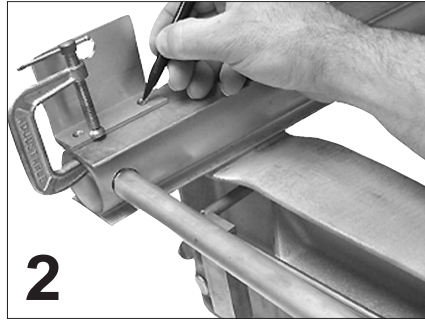
Hollow Core
(Slotted)
10 and 11

Tools Needed: Clamp, Pencil, Electric Drill, Phillips Screwdriver, Safety Goggles and 7/16" wrench.



1

Turn brake over and decide which end to mount the wheel kit. As shown above, clamp the bracket even with the rail.



2

Mark each hole with a pencil and remove clamp. Repeat step 1 and 2 with remaining bracket and again remove clamp.



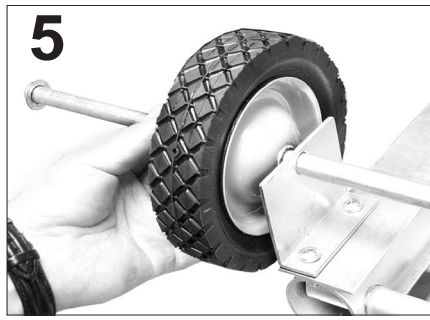
3

Using the bit provided, drill all 4 holes. Use a center punch to ensure accuracy of holes.



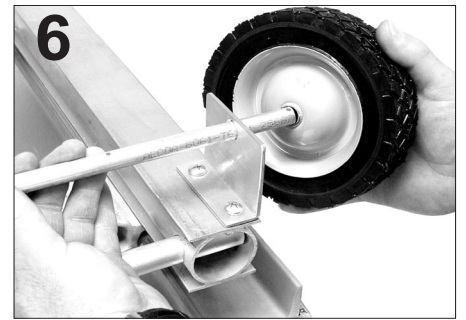
4

Install screws through bracket and into base rail using a Phillips screwdriver. Repeat step with other bracket to rail.



5

Insert axle through flat side of wheel hub and through both brackets.



6

With the convex portion of hub facing bracket, slide 2nd wheel onto the protruding axle shaft.



7

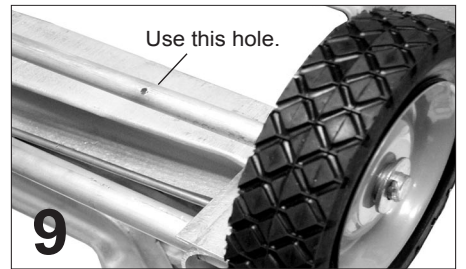
Slide washer onto axle shaft until cotter pin hole is clearly visible (Trim-A-Brake, or I-Beam see Step 9 first).



8

Insert Cotter pin through hole in shaft end and spread apart to prevent pin from dislodging from hole.

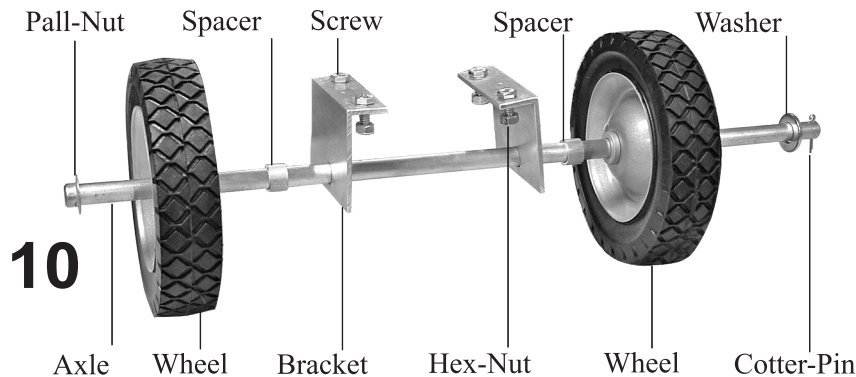
Trim-A-Brake II® Installation



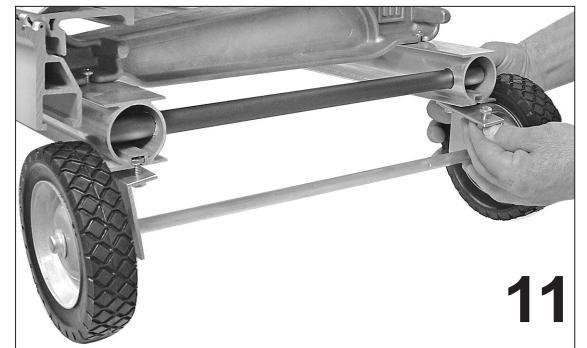
9

To install wheel kit on Trim-A-Brake II® models, use inner cotter pin hole. Trim excess axle shaft using a hacksaw.

Slotted Base Rail Installation Only: Unpack contents and assemble exactly as shown below. Start axle thru flat side of 1st wheel. Leave screws/nuts loose for now. Bend cotter-pin.



10



11

Slide the screw heads into the slots on each side. With the ends of the brackets flush to the ends of the base rail, tighten all hex nuts firmly in place with a 7/16" wrench.



1-800-453-0349