

Shutter Top

REQUIRED FOR INSTALLATION:

Electric drill, 1/4" drill bit (Shutter-Loks®), 11/64" drill bit (screws), screwdriver, screws or Shutter-Loks.

NOTE Note that Louver and Elliptical tops, do not require transom clips.

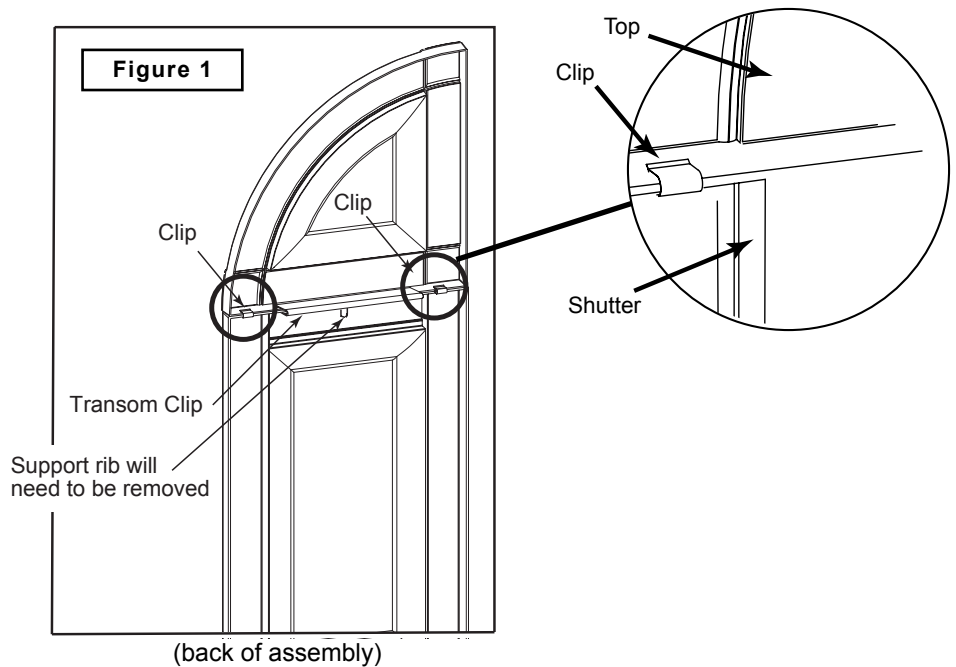
STEP 1

Attach the top to the shutter using the clips provided. Align shutter and top on a flat surface. Join pieces together by pushing each clip on as far as it will go. Use two clips per top. See Figure 1.

Proceed to Step 1A for Raised Panel, Solid and Transom top installation with transom clips.

STEP 1A

A transom clip will also need to be installed in addition to the two (2) clips. Start by pushing one end of the transom clip onto the shutter, clamping the shutter to the top. Work the transom clip down until the entire clip is fastened to the shutter. Be sure the transom clip is pushed on as far as it will go. See Figure 1.



STEP 2

Drill one (1) 1/4" hole as shown in Figure 2. For Transom tops, drill two (2) holes as shown in Figure 3.

STEP 3

Fasten shutter to wall using instructions supplied with shutter. To prevent shutter from dimpling, do not over tighten.

