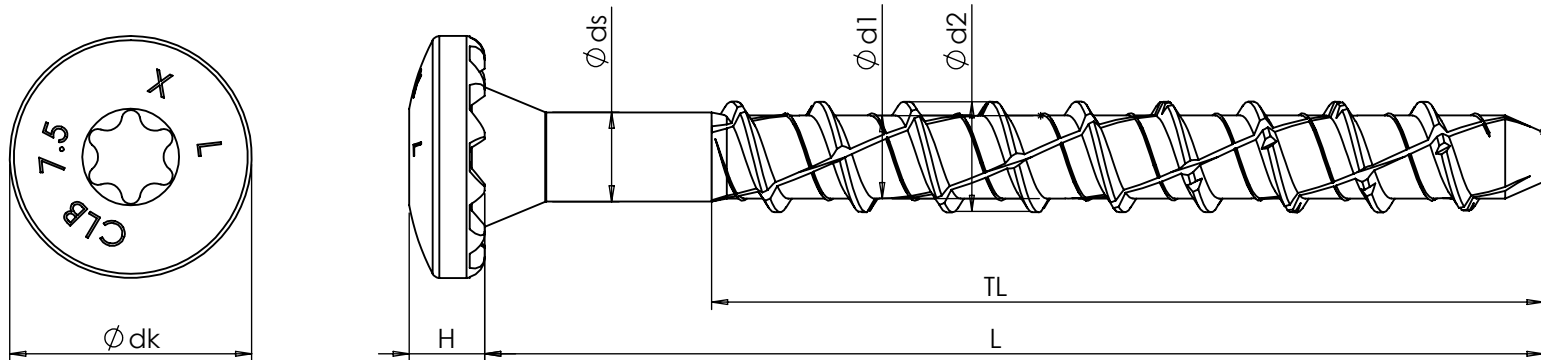


GRK Caliburn XL





PART #	SIZE	Head diameter (dk)	Head height (H)	Length (L)	Thread length (TL)	Shank diameter (ds)	Minor diameter (d1)	Major diameter (d2)
57774	19/64" X 2-3/4"	0.630	0.197	2.750	2.362	0.224	0.216	0.299
55778 57778	19/64" X 3-1/2"			3.500	2.834			
55785 57785	19/64" X 5"			5.000	3.425			



Dimensions are in inches without any manufacturing tolerances !
 More technical info also available under ICC ESR # 3251 Predrilling
 with a 1/4 inch diameter concrete drill bit required. Has a T-40
 Star drive.

PROPRIETARY AND CONFIDENTIAL
 THE INFORMATION CONTAINED IN THIS
 DRAWING IS THE SOLE PROPERTY OF
 Illinois Tool Works Inc. ANY
 REPRODUCTION IN PART OR AS A
 WHOLE WITHOUT THE WRITTEN
 PERMISSION OF Illinois Tool Works Inc.
 IS PROHIBITED.

Distribution Record	Headmark		NAME	DATE	 	
ITW			S.Ruhmann	MARCH 27-2015		
			CHECKED			
			ENG APPR.			
			MFG APPR.			
			Q.A.		955 National Parkway, Suite 95500 Schaumburg, IL 60173 USA	
					DWG. NO. Sales Support Caliburn XL Screw	REV. 0
					Caliburn XL 19/64	SHEET 1 OF 1