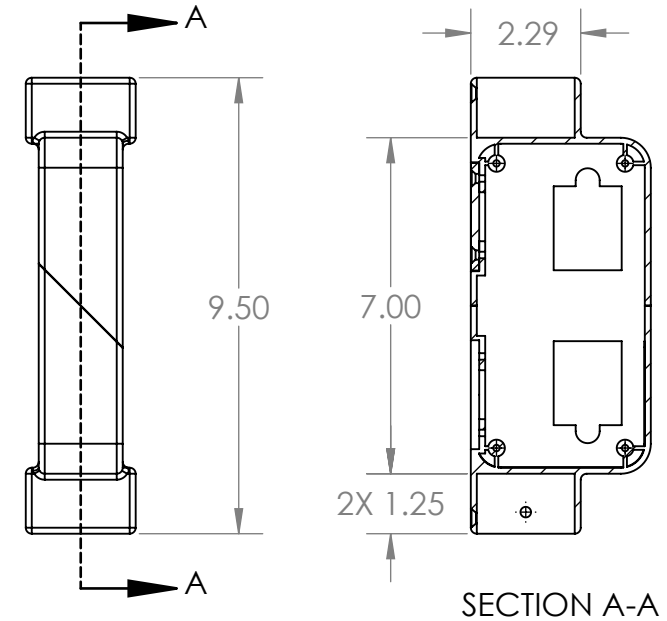
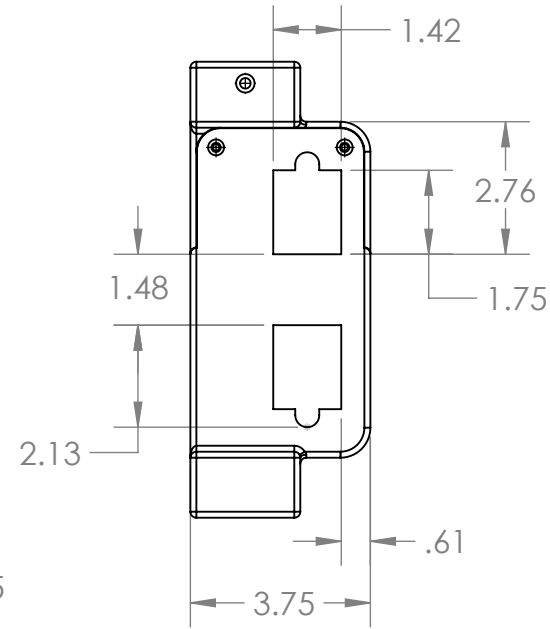
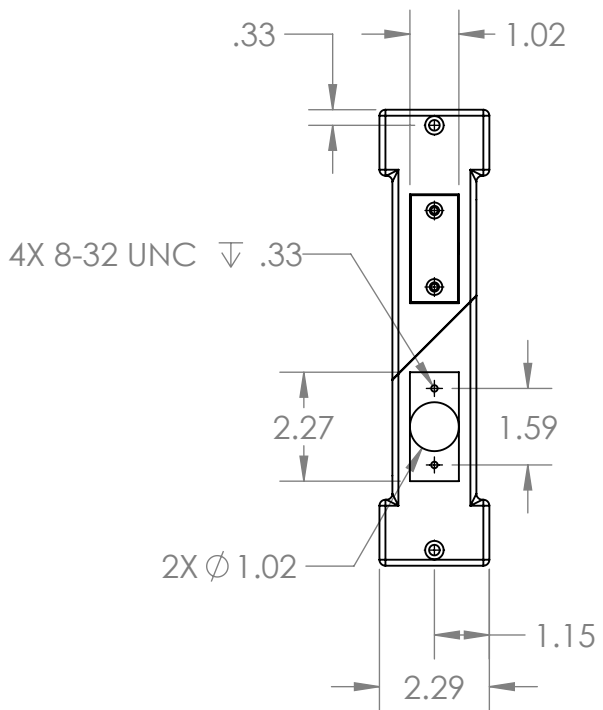
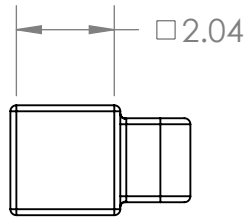
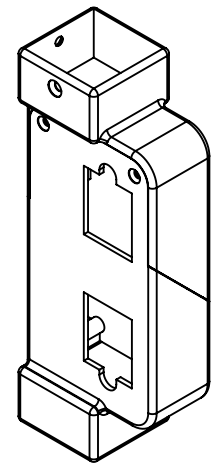


| ECR/DCR |   | REV. | REVISIONS       | DESCRIPTION | DATE     | APPD |
|---------|---|------|-----------------|-------------|----------|------|
| -       | - | -    | INITIAL RELEASE |             | 01-11-22 | -    |



DIMENSIONS ARE IN INCHES  
TOLERANCES:  
FRACTIONAL  $\pm 1/16"$   
ANGULAR: MACH  $\pm 1^\circ$  BEND  $\pm 1^\circ$   
TWO PLACE DECIMAL  $\pm 0.01$   
THREE PLACE DECIMAL  $\pm 0.005$

**LOCKEY USA**  
**MECHANICALLY ATTACHED GATE BOX**

PROPRIETARY AND CONFIDENTIAL  
THE INFORMATION CONTAINED IN THIS DRAWING IS THE SOLE PROPERTY OF NATIONWIDE INDUSTRIES. ANY REPRODUCTION IN PART OR AS A WHOLE WITHOUT THE WRITTEN PERMISSION OF NATIONWIDE INDUSTRIES IS PROHIBITED.

SIZE **A** DWG. NO. **CS--GBS2000** REV. -  
SCALE: 1:1 WEIGHT: SHEET 1 OF 1