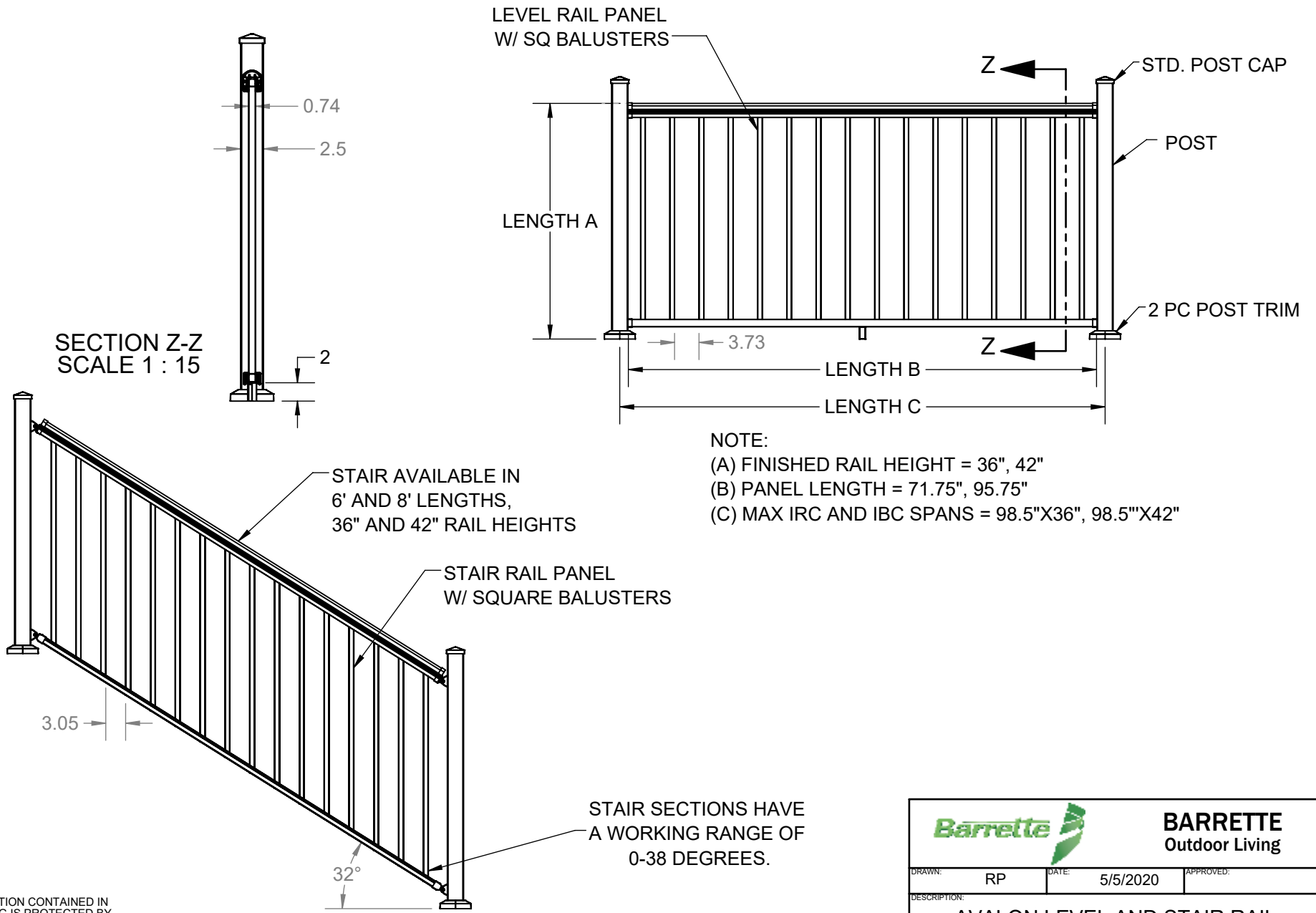


AVALON ALUMINUM RAIL AND BALUSTER DETAILS



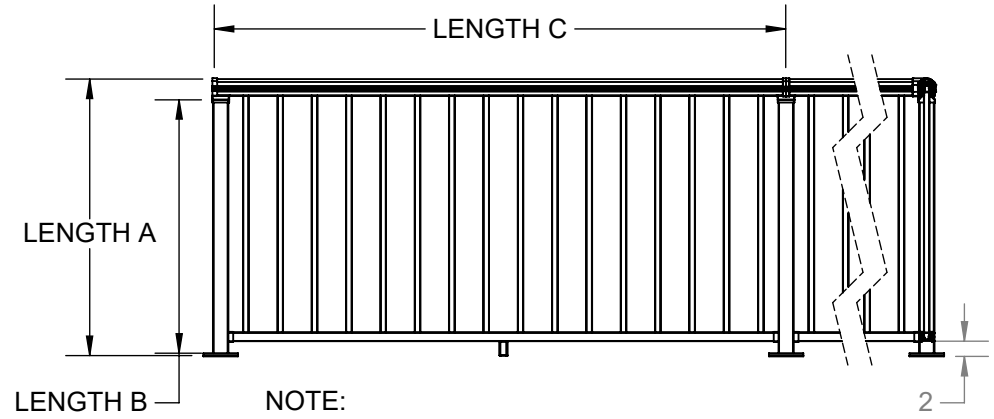
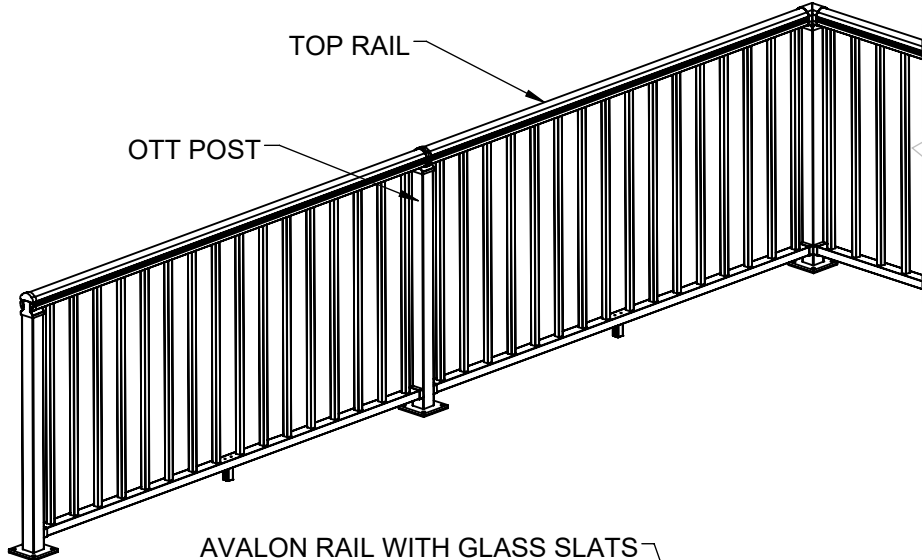
THE INFORMATION CONTAINED IN THIS DRAWING IS PROTECTED BY COPYRIGHT AND PATENT LAWS OF THE UNITED STATES AND OTHER COUNTRIES. ANY REPRODUCTION IN PART OR AS A WHOLE WITHOUT WRITTEN PERMISSION IS PROHIBITED.

		BARRETTE Outdoor Living	
DRAWN: RP	DATE: 5/5/2020	APPROVED:	
DESCRIPTION: AVALON LEVEL AND STAIR RAIL			
SHEET 1 OF 9	REVISION	PART NUMBER	
SCALE 1:21	0	N/A	
WEIGHT: N/A			

AVALON OVER THE TOP (OTT) AND GLASS LEVEL RAIL DETAILS

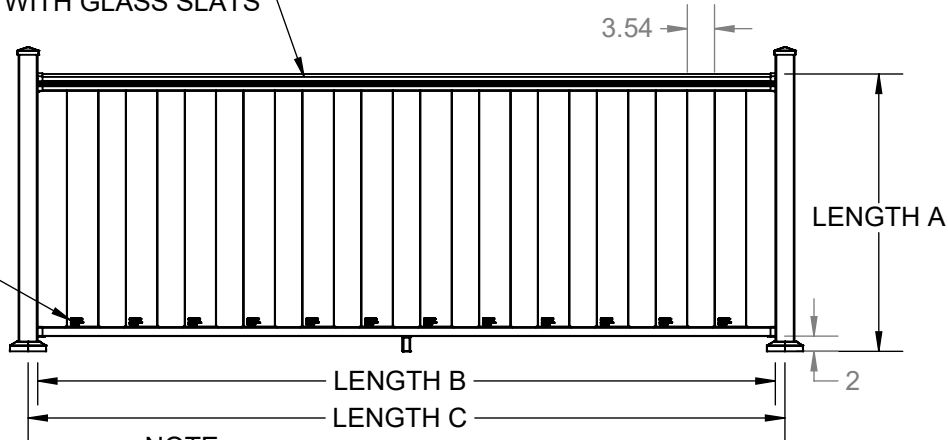
NOTE:

1. FOR OTT, A TOP RAIL LONGER THAN PANEL LENGTH IS NEEDED AND THERE IS A MAXIMUM CENTER TO CENTER POST SPACING OF 93.25" ACHIEVED USING A 95.5" RAIL.
3. IBC COMPLIANT FOR SECTIONS INSTALLED BETWEEN POSTS, 72" ON CENTER. IRC COMPLIANT FOR SECTIONS INSTALLED BETWEEN POSTS, 96" ON CENTER. STANDARD INSTALLS DO NOT HAVE THIS LIMITATION.
4. NO STAIRS AVAILABLE FOR AVALON OTT OR GLASS.



- NOTE:**
- (A) FINISHED RAIL HEIGHT = 36", 42"
 - (B) POST HEIGHT = 33", 39"
 - (C) MAX IRC AND IBC SPAN = 93.25"X36", 93.25"X42"



AVALON RAIL WITH GLASS SLATS



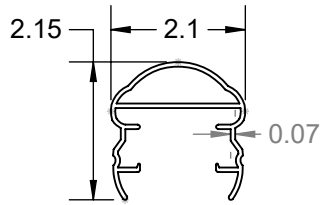
NOTE:
ANSI Z97.1 2004
16 CFR 1201 C11
SGCC 2975 1/4UA
TEMPERED

- NOTE:**
- (A) FINISHED RAIL HEIGHT = 36", 42"
 - (B) PANEL LENGTH = 71.75", 95.75"
 - (C) MAX SPANS = 98.5X36" IRC, 98.5X42" IBC

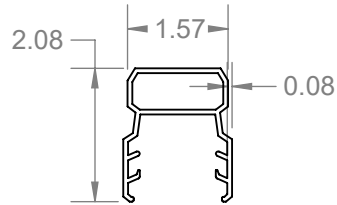
THE INFORMATION CONTAINED IN THIS DRAWING IS PROTECTED BY COPYRIGHT AND PATENT LAWS OF THE UNITED STATES AND OTHER COUNTRIES. ANY REPRODUCTION IN PART OR AS A WHOLE WITHOUT WRITTEN PERMISSION IS PROHIBITED.

		BARRETTE Outdoor Living	
DRAWN: RP	DATE: 5/5/2020	APPROVED:	
DESCRIPTION: AVALON OVER TOP AND GLASS RAIL			
SHEET 2 OF 9		REVISION	PART NUMBER
SCALE 1:25			N/A
WEIGHT: N/A			

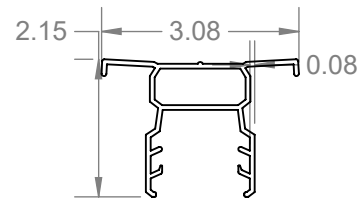
TOP AND BOTTOM RAIL



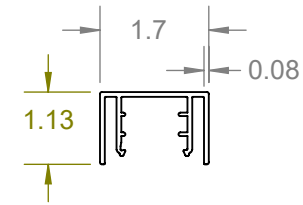
PELLINORE TOP RAIL



TRISTAN TOP RAIL



OBERON TOP RAIL
(SEE NOTE 1.)

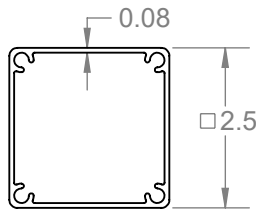


BOTTOM RAIL

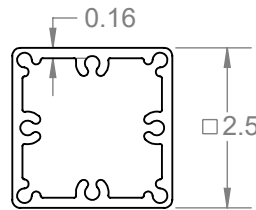
NOTE:

1. A DECK BOARD MUST BE USED WHEN INSTALLING OBERON.
2. BRACKET COVERS ARE INCLUDED WITH TOP RAIL.

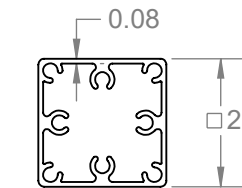
POSTS



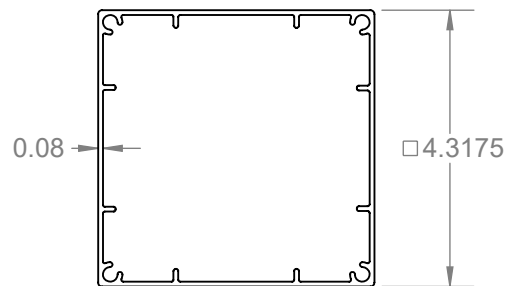
AVL POST EXTRUSION



AVL HD POST EXTRUSION

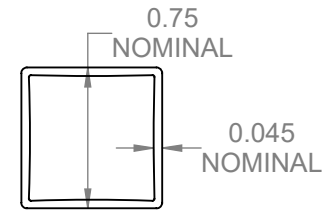


AVL OTP POST EXTRUSION

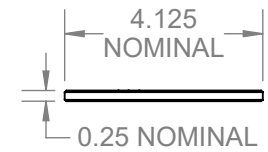


AVL AR POST EXTRUSION

BALUSTERS





SQ. BALUSTER



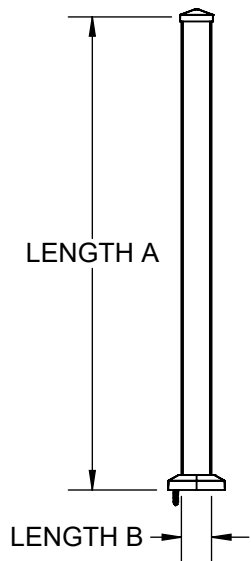
GLASS SLAT

THE INFORMATION CONTAINED IN THIS DRAWING IS PROTECTED BY COPYRIGHT AND PATENT LAWS OF THE UNITED STATES AND OTHER COUNTRIES. ANY REPRODUCTION IN PART OR AS A WHOLE WITHOUT WRITTEN PERMISSION IS PROHIBITED.

		BARRETTE Outdoor Living	
DRAWN: RP	DATE: 10/25/2018	APPROVED:	
DESCRIPTION: AVALON RAIL PROFILE			
SHEET 3 OF 9	REVISION	PART NUMBER	
SCALE 1:3		N/A	
WEIGHT: N/A			

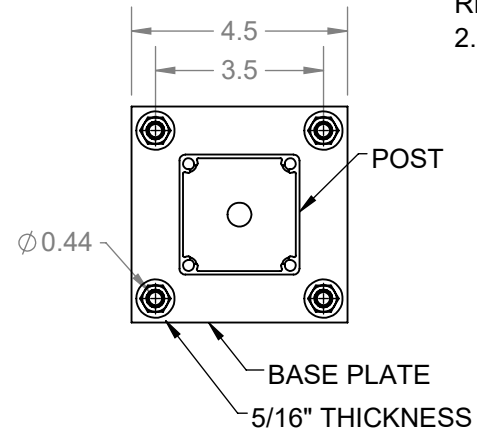
AVALON POST AND SURFACE MOUNT DETAILS

NOTE: IMAGES ONLY REFERENCE 2" AND 2.5" POSTS.

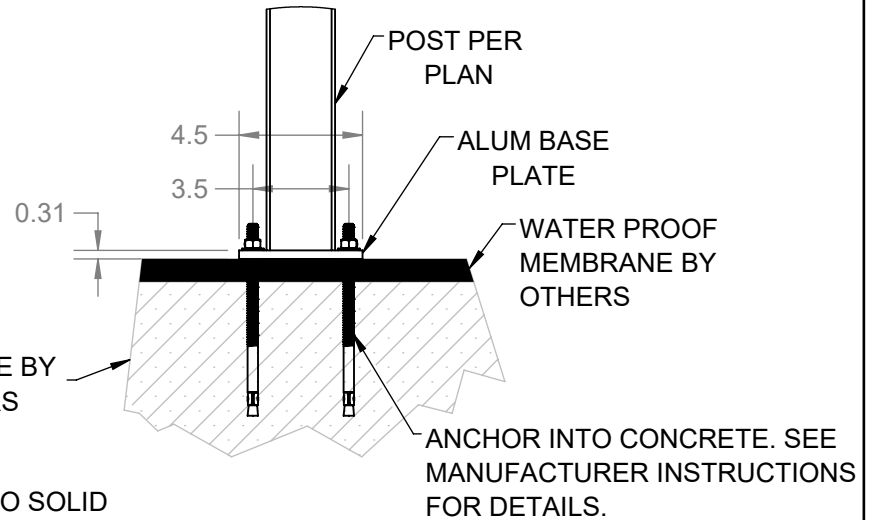


POSTS	LENGTH A	LENGTH B
STD. POST	39"	2.50"
STD. POST	45"	2.50"
STD. POST	60"	2.50"
HD. POST	45"	2.50"
HD. POST	60"	2.50"
OTP. POST	33"	2.00"
OTP. POST	39"	2.00"
AR. POST	39"	4.32"
AR. POST	45"	4.32"
AR. POST	108"	4.32"

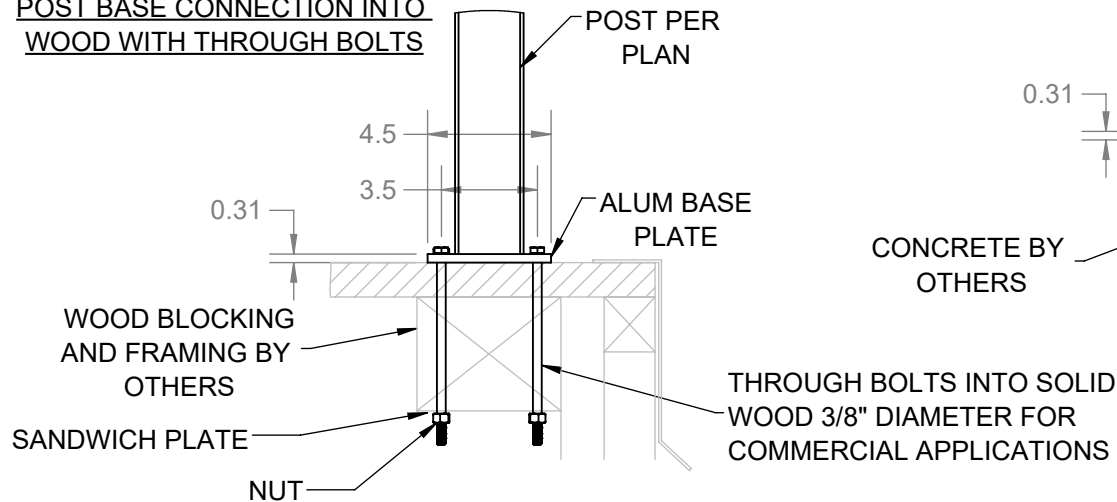
Note:
2.5" posts include factory mounted base plate, two piece trim, post cap, and leveling shims.
4.3125" post sold separately as components.



POST BASE CONNECTION INTO CONCRETE WITH WEDGE ANCHORS



POST BASE CONNECTION INTO WOOD WITH THROUGH BOLTS



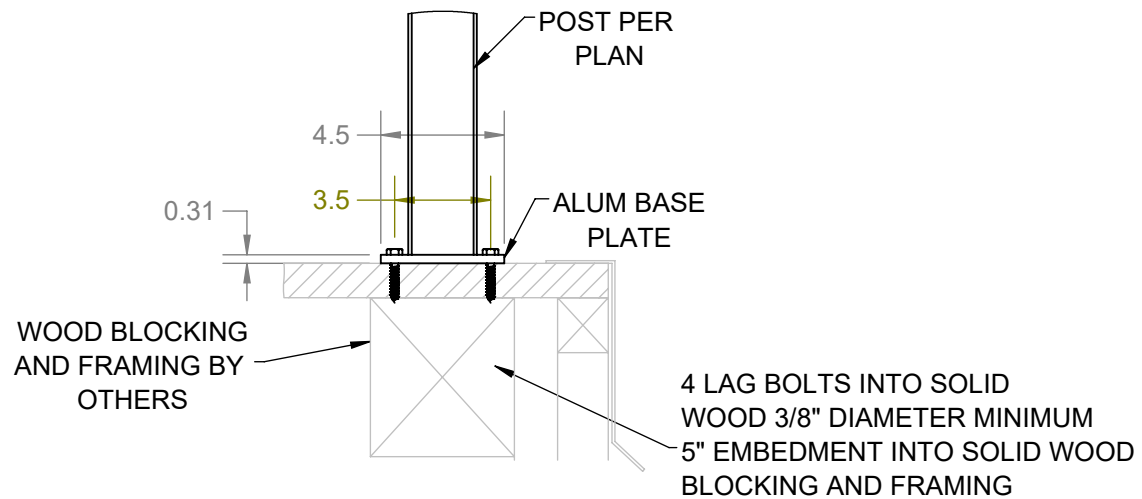
- NOTE:
1. COMMERCIAL APPLICATIONS ARE ALWAYS BOLTED, USE 3/8" DIAMETER A307 THROUGH BOLTS INTO SOLID WOOD BLOCKING.
 2. WOOD BLOCKING BY OTHERS.
 3. BLOCKING MUST BE DESIGNED TO WITHSTAND PROPER LOADING.

THE INFORMATION CONTAINED IN THIS DRAWING IS PROTECTED BY COPYRIGHT AND PATENT LAWS OF THE UNITED STATES AND OTHER COUNTRIES. ANY REPRODUCTION IN PART OR AS A WHOLE WITHOUT WRITTEN PERMISSION IS PROHIBITED.

		BARRETTE Outdoor Living	
DRAWN:	RP	DATE:	10/25/2018
APPROVED:			
AVALON POST AND SURFACE MOUNT DETAIL			
SHEET 4 OF 9	REVISION	PART NUMBER	
SCALE 1:16	0	N/A	
WEIGHT: N/A			

AVALON POST AND SURFACE MOUNT DETAILS

RESIDENTIAL APPLICATIONS



POST BASE CONNECTION INTO
WOOD WITH LAG BOLTS

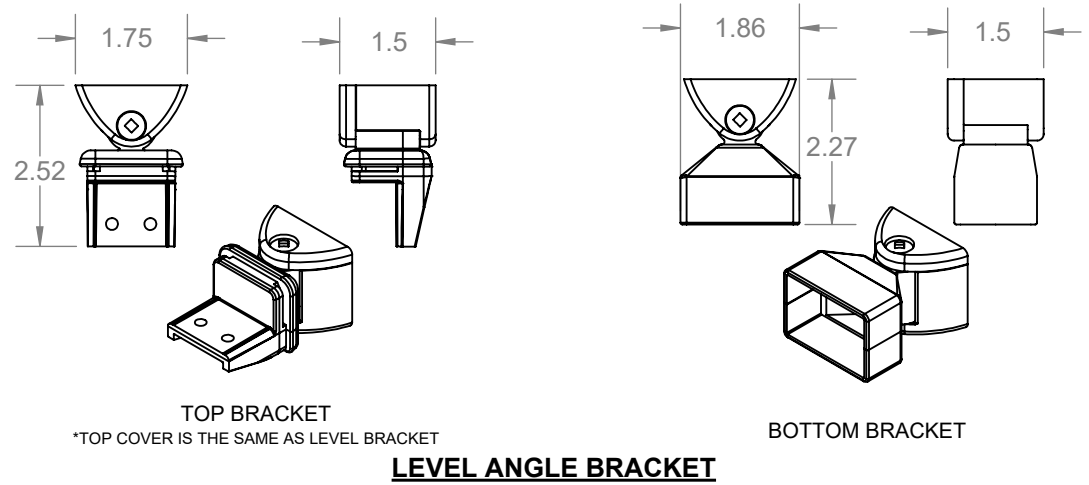
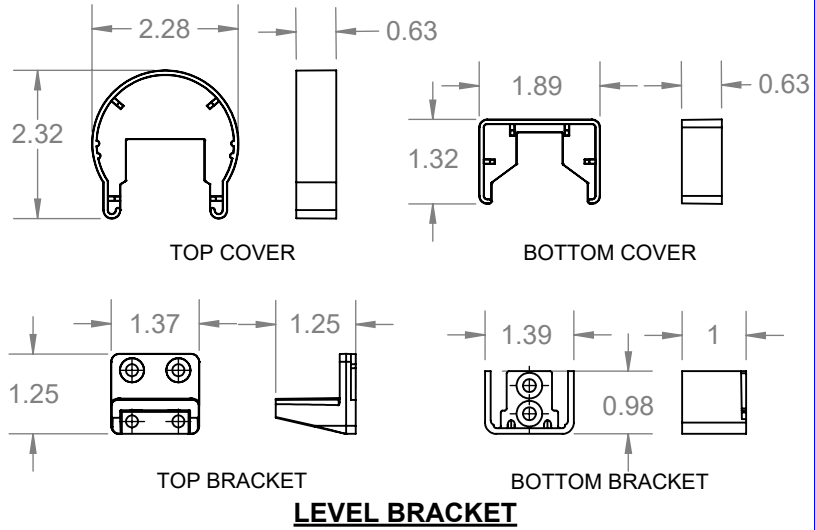
NOTE:

1. WOOD BLOCKING BY OTHERS.
2. BLOCKING MUST BE DESIGNED TO WITHSTAND PROPER LOADING.

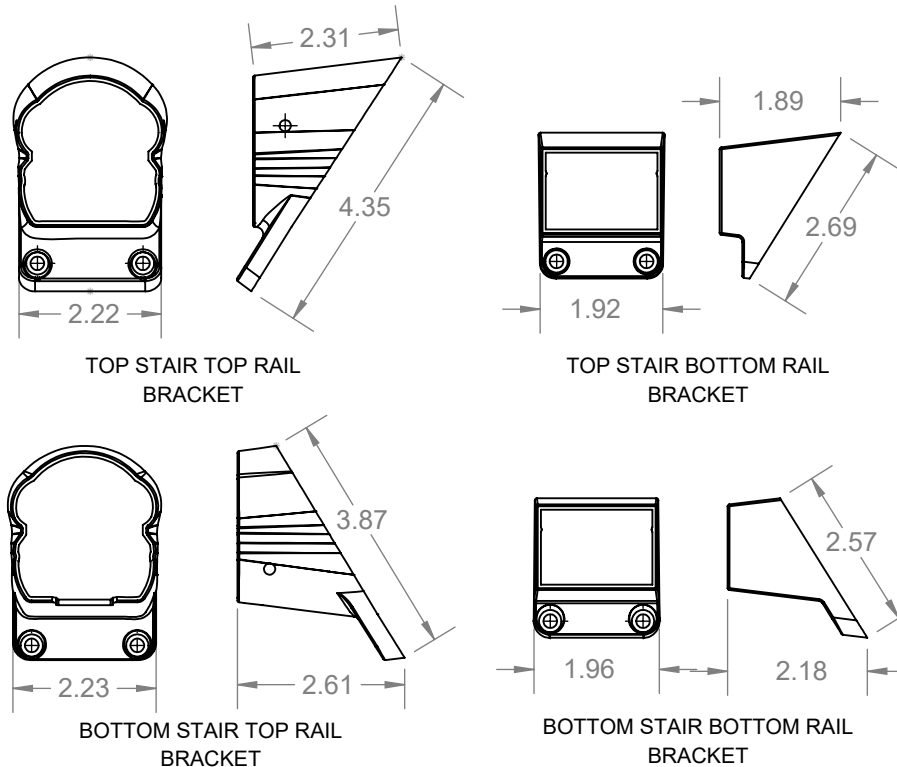
THE INFORMATION CONTAINED IN THIS DRAWING IS PROTECTED BY COPYRIGHT AND PATENT LAWS OF THE UNITED STATES AND OTHER COUNTRIES. ANY REPRODUCTION IN PART OR AS A WHOLE WITHOUT WRITTEN PERMISSION IS PROHIBITED.

		BARRETTE Outdoor Living	
DRAWN: RP	DATE: 10/25/2018	APPROVED:	
AVALON POST AND SURFACE MOUNT DETAIL			
SHEET 5 OF 9		REVISION	PART NUMBER
SCALE 1:16		0	N/A
WEIGHT: N/A			

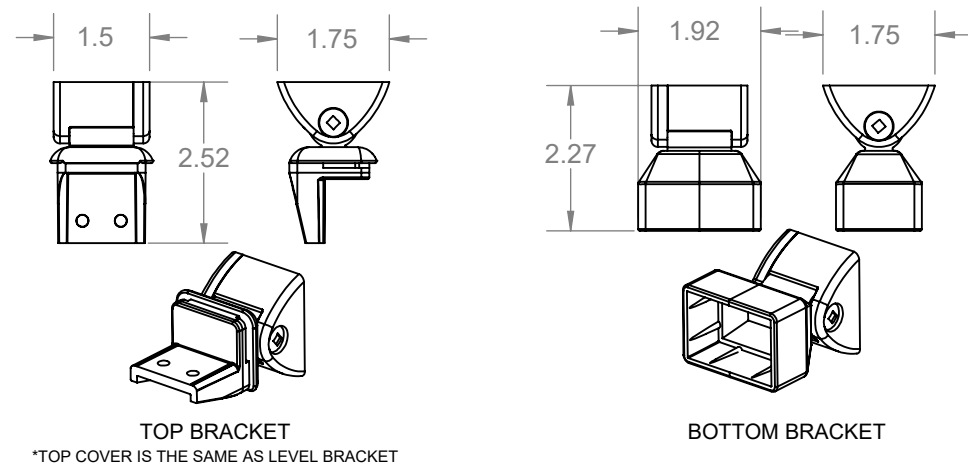
Brackets & Accessories



FIXED ANGLE STAIR BRACKET

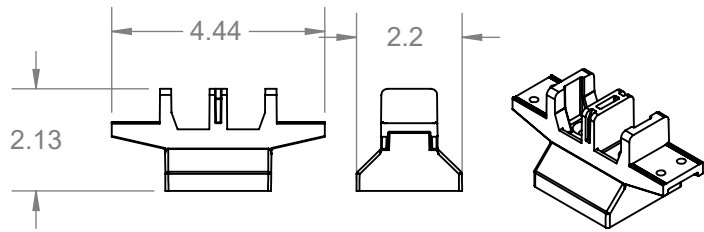


STAIR BRACKET

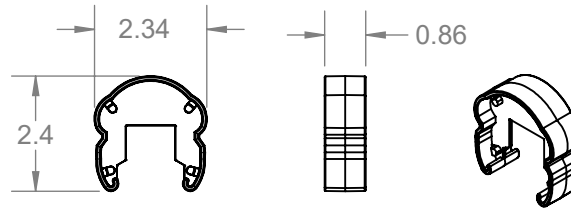


		BARRETTE Outdoor Living	
DRAWN: RP	DATE: 5/5/2020	APPROVED:	
DESCRIPTION: AVALON OVER TOP AND GLASS RAIL			
SHEET 6 OF 9		REVISION	PART NUMBER
SCALE 1:3		0	
WEIGHT: 26.20			

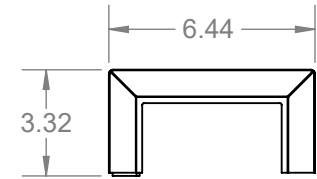
Brackets & Accessories



LINE BRACKET

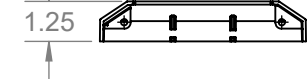


LINE COVER

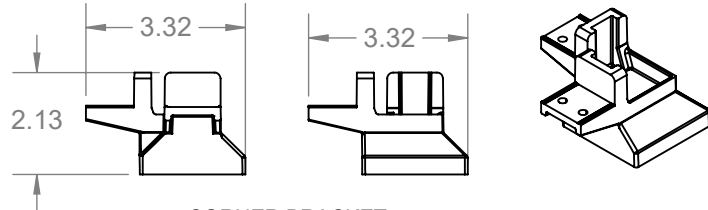


4.25" TRIM RING

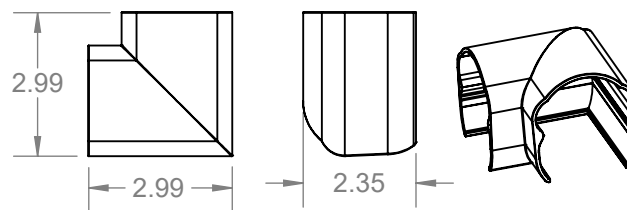
OVER THE POST LINE BRACKET



4.25" FLAT POST CAP

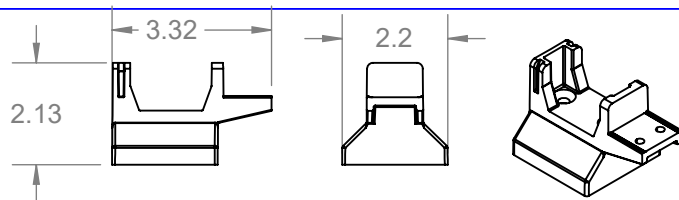


CORNER BRACKET

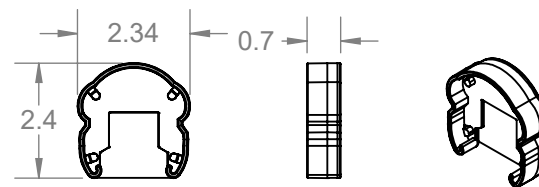


CORNER COVER

OVER THE POST CORNER BRACKET

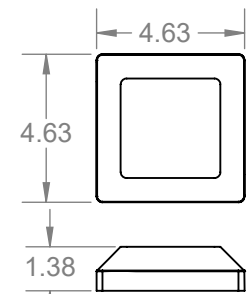


END BRACKET



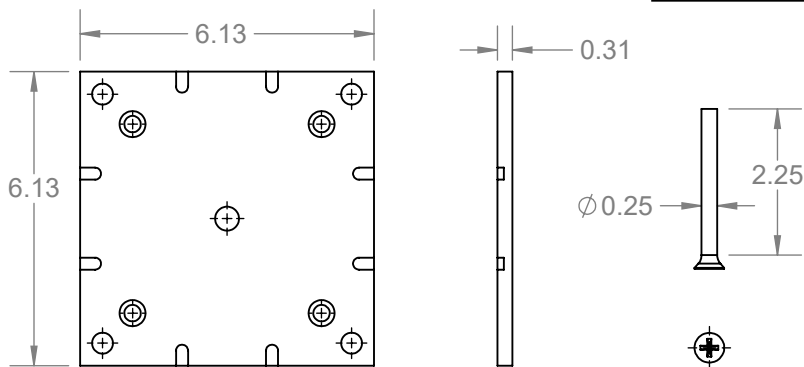
END COVER

OVER THE POST END BRACKET



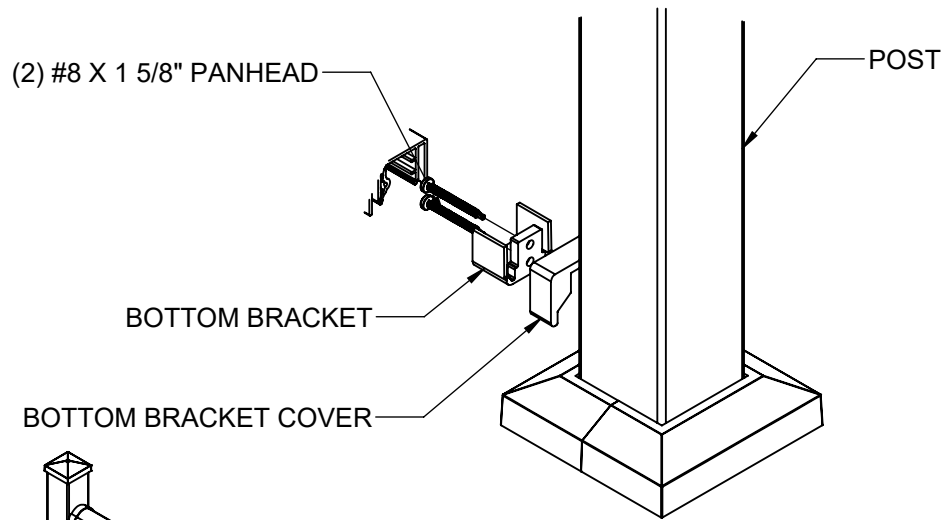
4.25" MOUNTING KIT

108" POST SLEEVE CAN BE USED AS A STRUCTURAL POST
(REQUIRES 2 MOUNTING KITS)

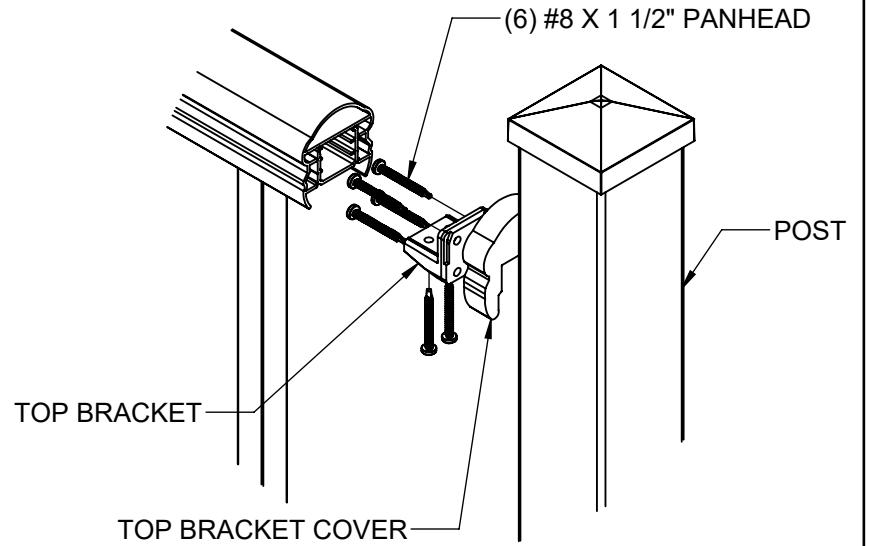


MOUNTING KIT COMES WITH TRIM RING

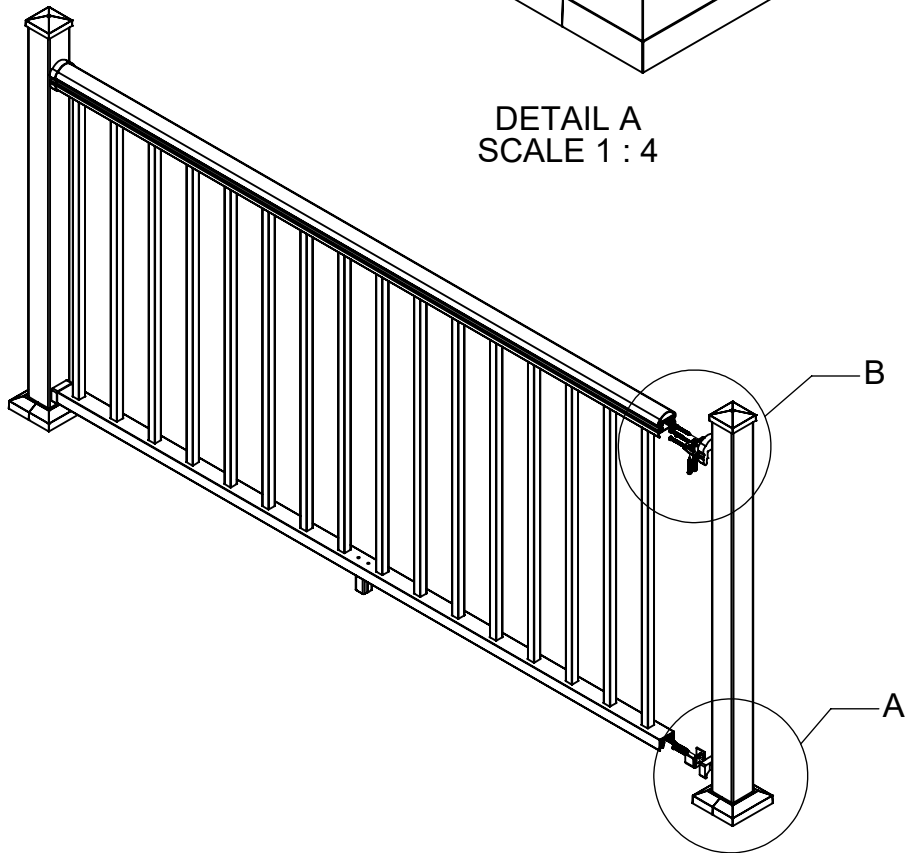
		BARRETTE Outdoor Living	
DRAWN: RP	DATE: 5/5/2020	APPROVED:	
DESCRIPTION: AVALON OVER TOP AND GLASS RAIL			
SHEET 7 OF 9	REVISION	PART NUMBER	
SCALE 1:4	0		
WEIGHT: 0.292			



DETAIL A
SCALE 1 : 4

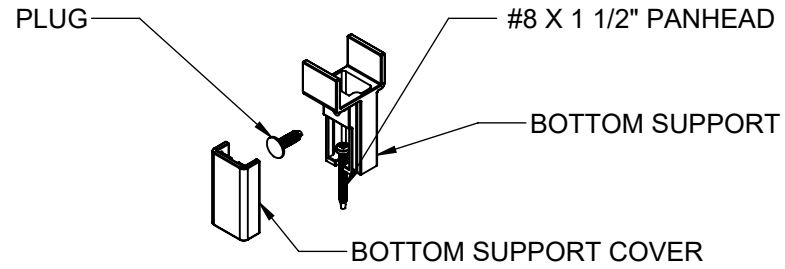


DETAIL B
SCALE 1 : 4

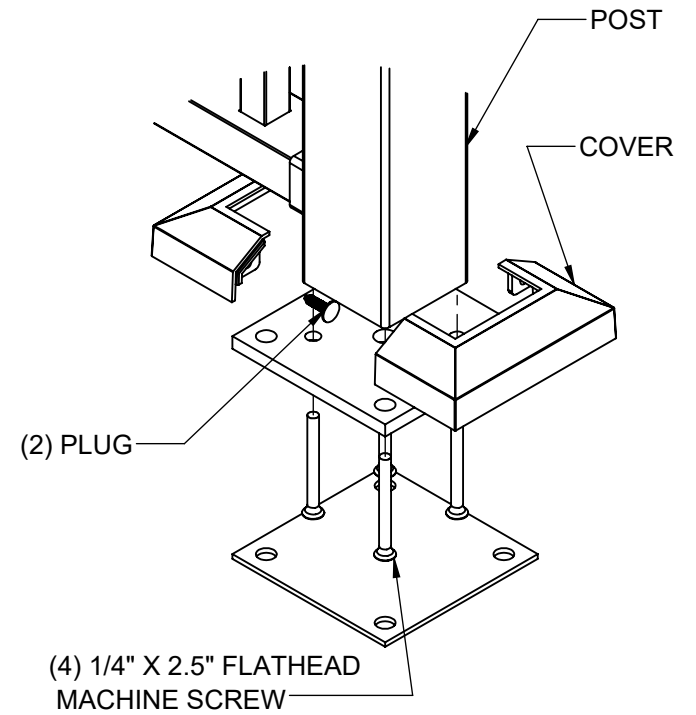


THE INFORMATION CONTAINED IN THIS DRAWING IS PROTECTED BY COPYRIGHT AND PATENT LAWS OF THE UNITED STATES AND OTHER COUNTRIES. ANY REPRODUCTION IN PART OR AS A WHOLE WITHOUT WRITTEN PERMISSION IS PROHIBITED.

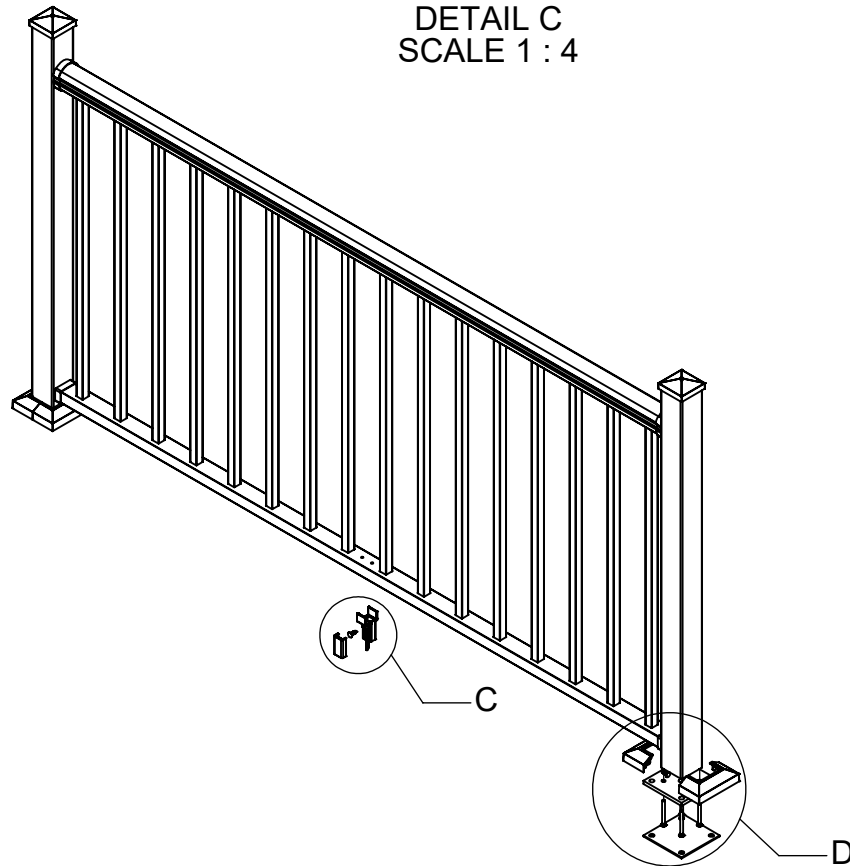
		BARRETTE Outdoor Living	
DRAWN: RP	DATE: 5/5/2020	APPROVED:	
DESCRIPTION: AVALON FASTENER DETAIL			
SHEET 8 OF 9		REVISION	PART NUMBER
SCALE 1:16		0	
WEIGHT: 25.62			



DETAIL C
SCALE 1 : 4



DETAIL D
SCALE 1 : 4



THE INFORMATION CONTAINED IN THIS DRAWING IS PROTECTED BY COPYRIGHT AND PATENT LAWS OF THE UNITED STATES AND OTHER COUNTRIES. ANY REPRODUCTION IN PART OR AS A WHOLE WITHOUT WRITTEN PERMISSION IS PROHIBITED.

		BARRETTE Outdoor Living	
DESCRIPTION: AVALON FASTENER DETAIL			
SHEET 9 OF 9		REVISION	PART NUMBER
SCALE 1:16			
WEIGHT: 25.62			