

⚠ WARNING:

- Improper installation of this product can result in personal injury. Always wear safety goggles when cutting, drilling and assembling the product.
- Incorrect installation may cause harm to the product or individual.

LEVEL RAIL INSTALLATION:

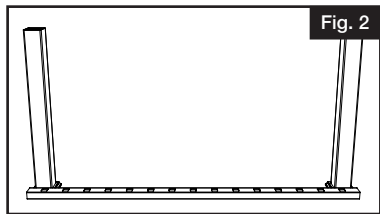


1 Post Installation:

Closely follow Post Install Kit installation instructions or use a Post Sleeve over an existing wood 4x4.

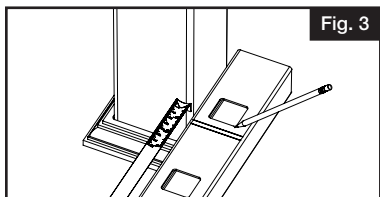
NOTE:

The deck top railing can be installed either between posts or over posts (Fig. 1). If installing a deck board over the top of your post, you will need to cut your structural posts down to a height of 35 $\frac{7}{8}$ " tall off the mounting surface. You will cut your sleeves to length later, in Step 6c.



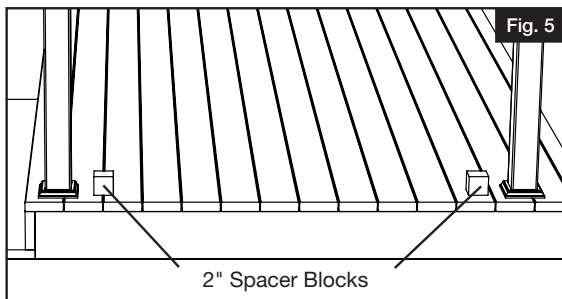
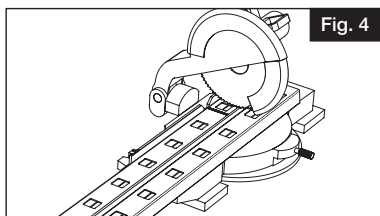
2 Cut Rails to Length:

- Place bottom rail across post opening leaving equivalent spacing from the last baluster and post on each end (Fig. 2).
- Mark $\frac{1}{8}$ " from end of post to allow room for expansion (Fig. 3).
- Align top rail with bottom rail and cut both rails with miter box or hacksaw (see saw blade manufacturer's specs for correct blade) (Fig. 4).



NOTE:

You will have to cut through an aluminum insert in each rail.



3 Spacer Blocks:

Cut two 2" temporary wood spacer blocks (not included) to insert under ends of railing sections to temporarily assist in aligning railing section (Fig. 5).

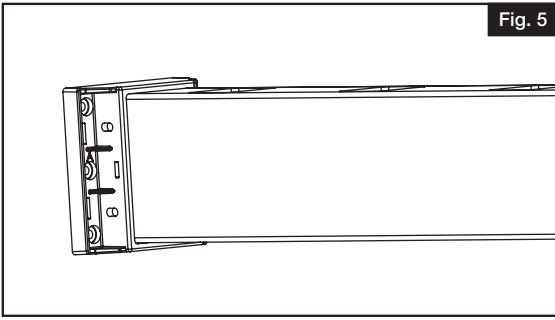


Fig. 5

4 Installing Bottom Rail:

- Place brackets onto both ends of bottom rail (Fig. 5).
- Slide bottom rail in between posts and rest on top of wood spacer blocks (Fig. 6).
- Ensure bracket is centered to post. Then, using 1/8" drill bit, pre-drill first bottom bracket screw hole through bracket hole and post (use the four outside corner holes) (Fig. 7).
- Drive the first #10 x 1 1/2" screw through bottom bracket into post (Fig. 8).
- Repeat steps c & d for the remaining three screws for the first bottom bracket.
- Repeat steps c, d & e for the second bottom bracket.

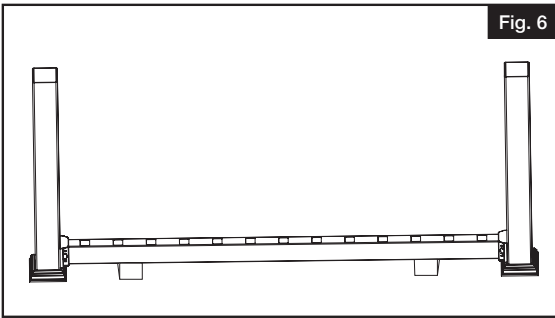


Fig. 6

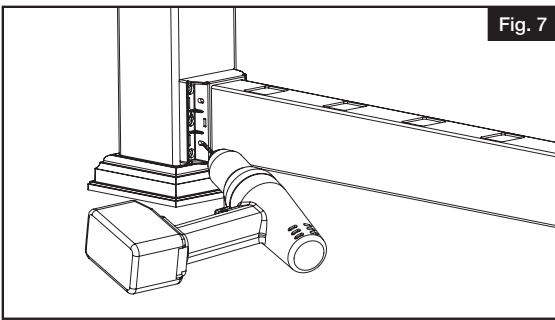


Fig. 7

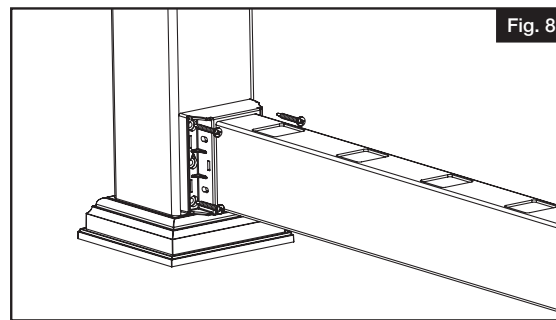


Fig. 8

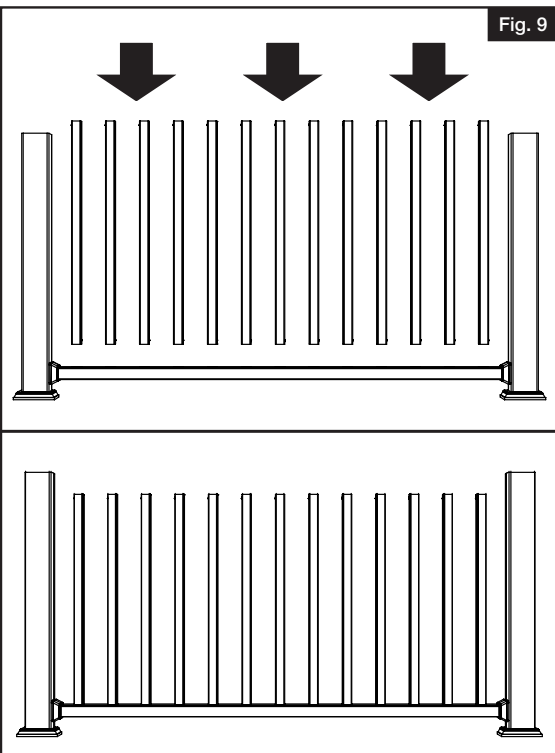
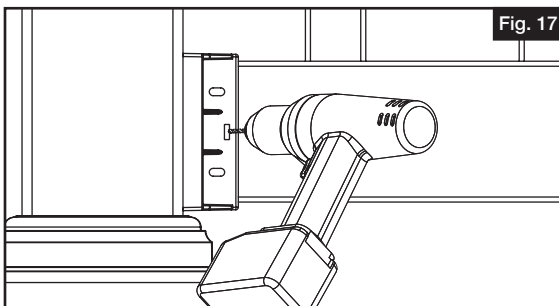
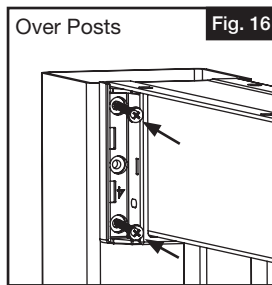
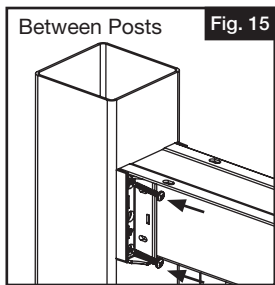
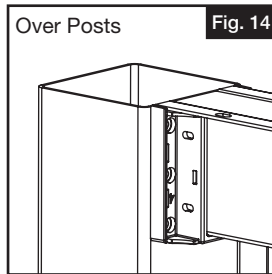
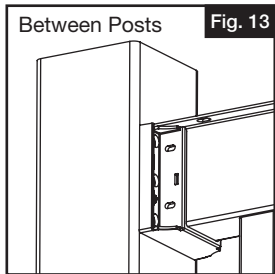
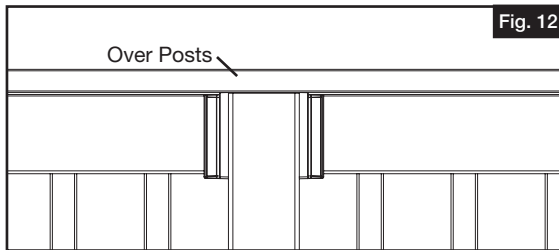
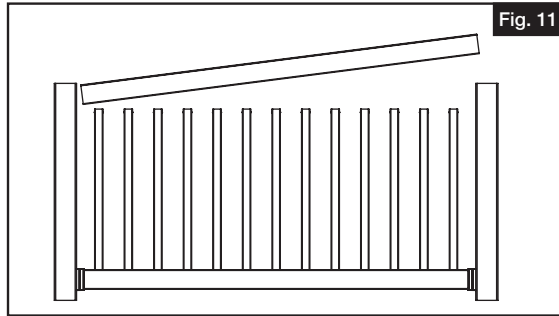
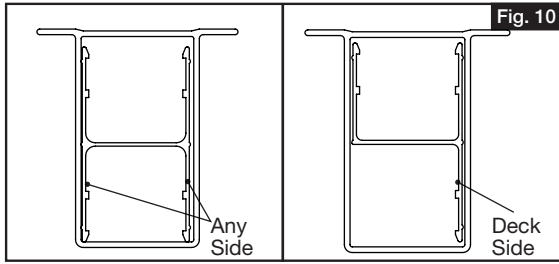


Fig. 9

5 Snap Balusters Into Your Bottom Rail

- The kit comes with two balusters with lock tabs on end. Install those two balusters on the ends closest to posts.
- Push all balusters into bottom rail (Fig. 9).



6

NOTE:

Finyl Line top rails are reinforced with an aluminum channel. Please check the inside of your top rail prior to installation. If it uses a shape other than a capital "H", then be sure to orient that rail so the long part of the aluminum faces the inside of the deck (Fig. 10).

Installing Top Rail:

- Begin at one side of rail and align first baluster with first routed hole on bottom side of top rail and snap top rail into position (Fig. 11).
- Continue down the line of balusters installing balusters into top rail.
- If installing railing **OVER** the post (Fig. 12):
Make sure rails are fully seated with balusters and level and centered to post sleeve. Mark the side of the post at the same point where the top corner of the top rail intersects the post sleeve. While leaning railing to side, cut the posts to the length marked.
- Install brackets:
 - Make sure rails are fully seated with balusters and level and centered to post sleeve. While holding the top bracket snug to rail from underneath, and using $\frac{1}{8}$ " drill bit, pre-drill first top bracket screw hole (Fig. 13 & 14). Drill through bracket hole, vinyl post sleeve and vinyl insert and loosely install first #10 x $1\frac{1}{2}$ " screw.
 - Repeat pre-drilling process for remaining three screws (Fig. 15 & 16).
 - Tightly install screws (Fig. 15 & 16).
 - Repeat steps i-iii for the second top bracket.

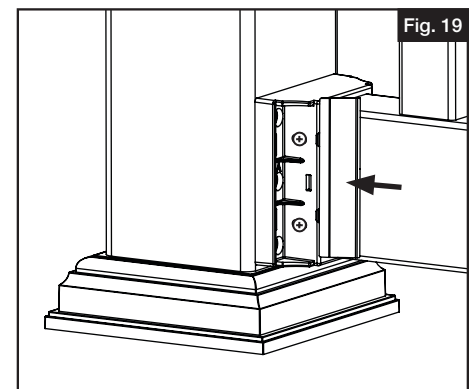
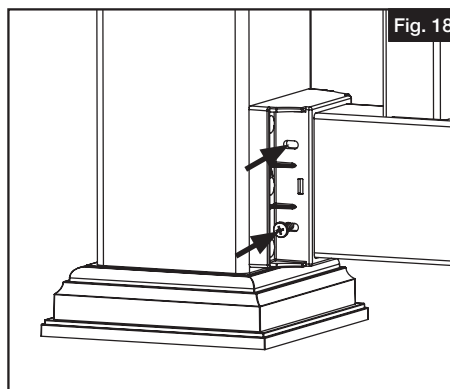
Install Side Bracket Screws And Covers

- For each installed bracket, pre-drill in the center of each elongated hole with a $\frac{1}{8}$ " drill bit (Fig. 17).

NOTE:

In some cases you will be drilling through aluminum as well as the vinyl railing.

- Install #10 x 1" screws in all pre-drilled holes (Fig. 18).
- Match letter on inside of bracket cover to the letter on bracket, and snap cover in place. Repeat for all brackets (Fig. 19).



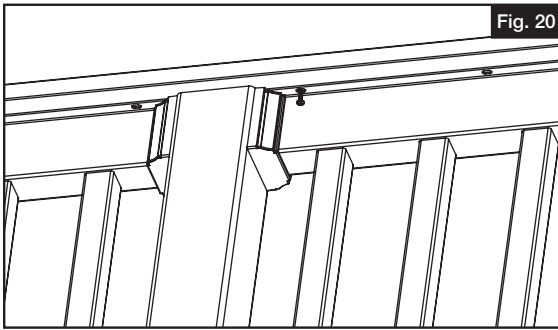


Fig. 20

7

Installing Deck Board Over Top Rail:

Deck board top rails should be installed after all railing is assembled.

- a. Cut deck board to desired length and place over railing
- b. Drive #10 x 3/4" screws up from under rail centered through slotted holes and into deck board (Fig. 20).

NOTE:

- Depending on how much of the railing was cut to length, you may need to add a hole (first screw must be approximately 2" from post).
- If installing deck board over the top of the posts and the railing run length is greater than the maximum length of deck board, you will need to have a connection seam. It is recommended to do 45 degree miter joints at the corners and 22.5 degree scarf joints (Fig. 21) for in-line connections. Seal joints with glue or caulk.

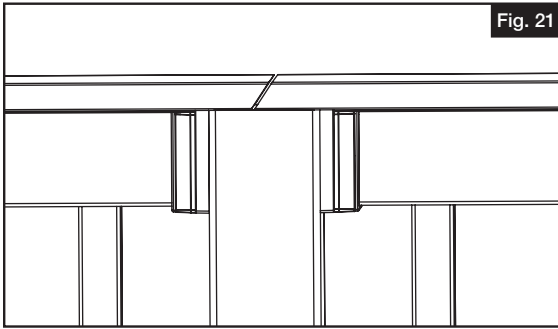


Fig. 21

ANGLED RAIL INSTALLATION:

Finyl Line Deck Top Railing Can Be Installed At Angles With Two Methods/Options:

- I. Using pre-molded adapters (at 22.5° or 45°)
- II. Using field cut angle brackets

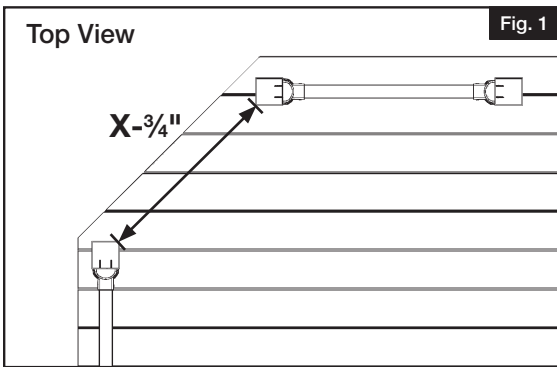


Fig. 1

1

I. 22.5°/45° Pre-Molded Adapters:

- a. Measure distance between post from inside corners (Fig. 1) that will be using the pre-molded adapter and next post. Subtract 3/4" from that distance and that will be the length you will need to cut your top and bottom rails (Fig. 1).
- b. Install railing as outlined in level rail section, noting the following:

Place adapter between brackets and posts. Pre-drill and use the longer 3" screws provided with adapters to connect to the post (Fig. 2).

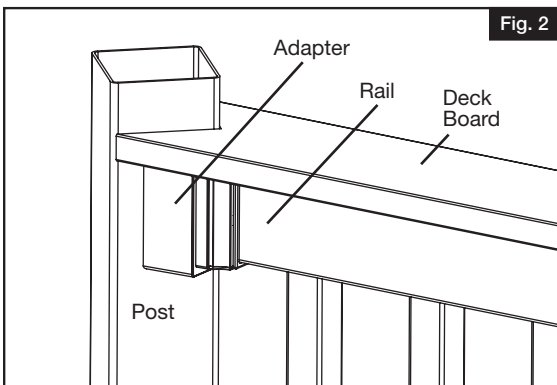


Fig. 2

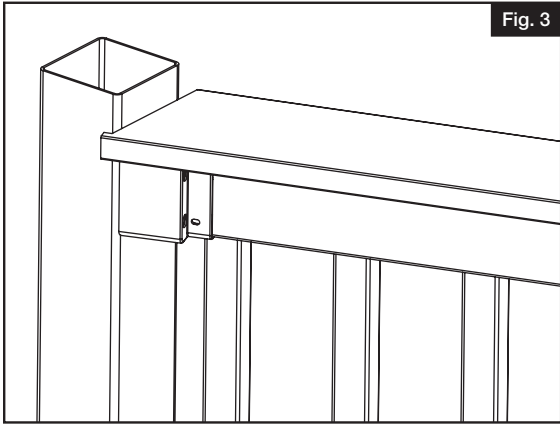


Fig. 3

1

II. Field cut angle bracket:

- a. Slide handrail bracket over ends of railing. Measure angle required and cut bracket and rail (and aluminum channel) to that angle.
- b. Repeat for bottom rail.
- c. Install railing per instructions for level railing.

NOTE:

- the maximum cut angle should be no greater than 21.5 degrees to ensure the bracket/rail does not overhang the 4x4 post. If you use this bracket at an angle greater than 21.5 degrees, it is recommended to use a larger post sleeve. The deck board, if installed post to post (versus over the top) will extend beyond the width of the post (Fig. 3).
- You will want to cut the angle bracket enough to keep your spacing between your post and first baluster at a minimum (4" or less).
- Depending on how much the bracket has been cut, a shorter screw may be necessary (to ensure screw does not protrude through the post sleeve).

STAIR RAIL INSTALLATION:

Fynl Line Deck Top stair railing can be installed with two methods/options:

- I. Using pre-molded brackets
- II. Using field cut angle brackets

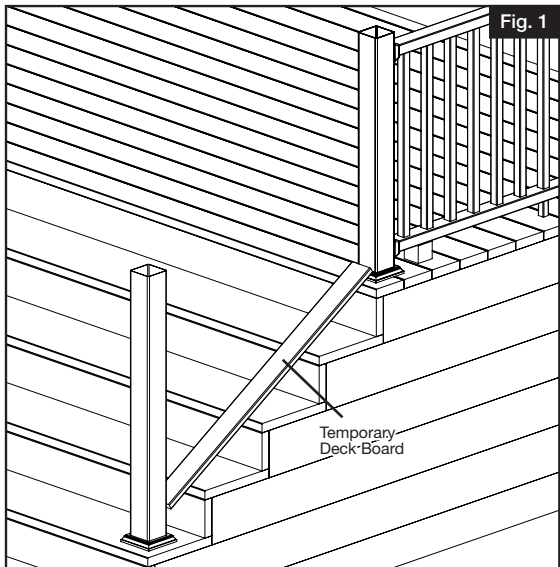


Fig. 1

1

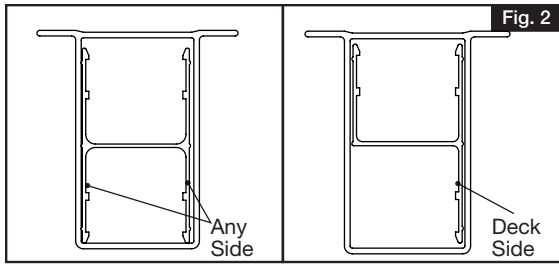
Post Installation:

Closely follow Post Install Kit installation instructions or use a Post Sleeve on an existing wood 4x4.

2

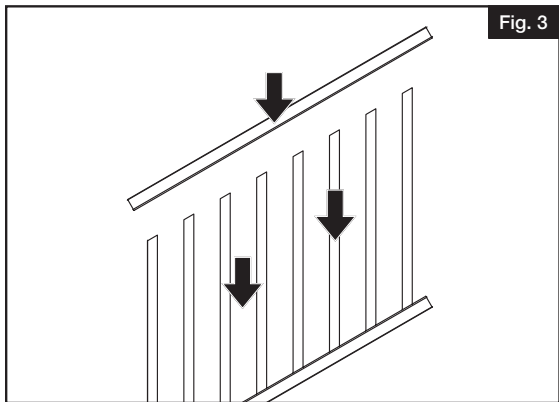
Determine Spacing:

Temporarily secure a deck board (1¼") to your stair treads to determine the spacing between the nose of the stairs and your bottom rail (Fig. 1).



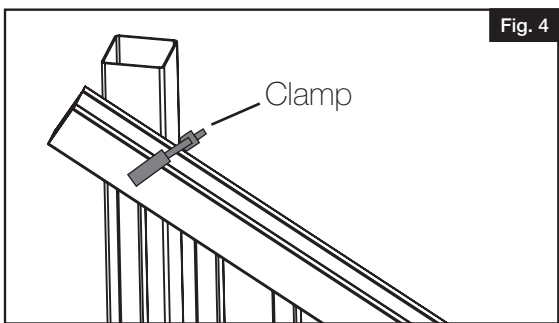
NOTE:

Finyl Line top rails are reinforced with an aluminum channel. Please check the inside of your top rail prior to installation. If it uses a shape other than a capital "H", then be sure to orient that rail so the long part of the aluminum faces the inside of the deck (Fig. 2).



3 Assemble Your Stair Railing Section:

- a. Kit comes with two balusters with lock tabs on end. Install those two balusters on the ends closest to posts
- b. Assemble your stair railing section by snapping balusters into bottom rail (Fig. 3)
- c. Begin at one side of rail and align first baluster with first routed hole on bottom side of top rail, and fit top rail over each baluster.



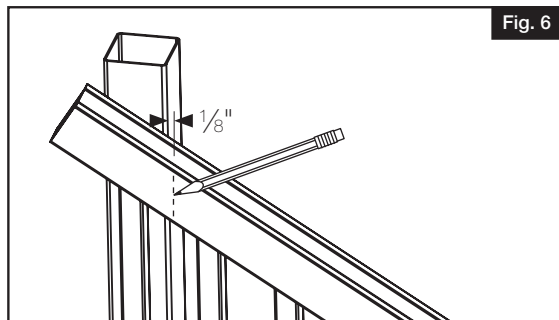
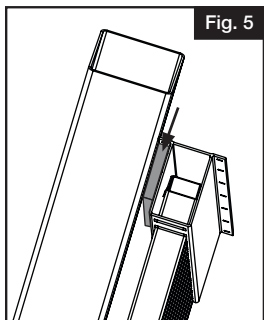
1 I. Using pre-molded brackets:

Stabilize Section:

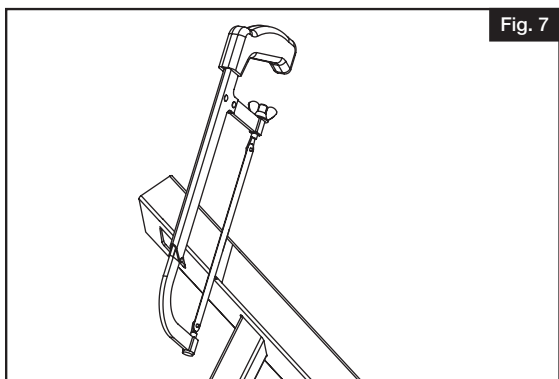
- a. Place assembled stair railing section adjacent to mounted stair posts, leaving equal distances from the ends of both balusters and clamp your stair railing section to the posts (Fig. 4).

NOTE:

To allow the top rail to fit flush to the post for lamping purposes, use a spacer block (Fig. 5)



- b. Trace the post onto each rail (both ends of top and bottom rails). Make four marks in total being sure to mark 1/8" shorter to allow for expansion (Fig. 6).



2 Cutting Rails:

Remove clamped stair kit from posts. Cut along all four angled marks on rails (Fig. 7).

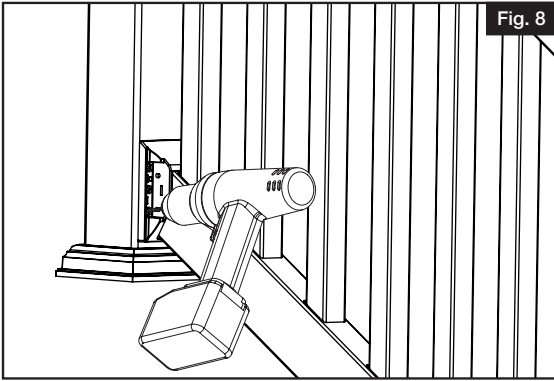


Fig. 8

3 Install bottom rail brackets:

- a. Place brackets onto both ends of bottom rail.
- b. Slide railing between posts and rest bottom rail on the temporary deck board
- c. Ensure bracket is centered to post. Then, using $\frac{1}{8}$ " drill bit, pre-drill first bottom bracket screw hole through bracket hole and post (use the four outside corner holes) (Fig. 8).
- d. Drive the first #10 x $1\frac{1}{2}$ " screw through bottom bracket into post.
- e. Repeat steps c & d for the remaining three screws for the first bottom bracket.
- f. Repeat steps c, d & e for the second bottom bracket.

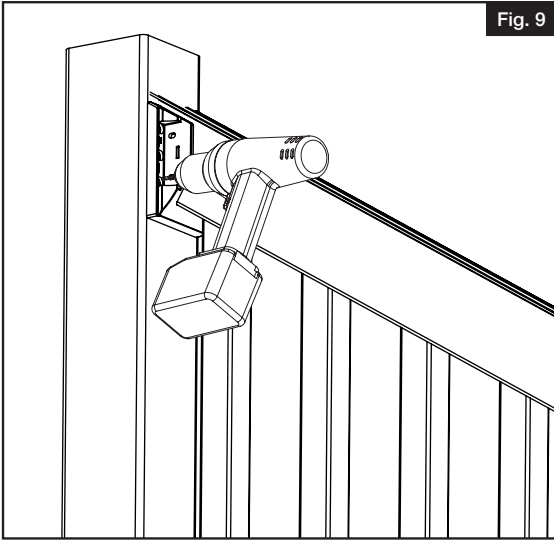


Fig. 9

4 Install top rail brackets:

- a. Make sure rails are fully seated with balusters and level and centered to post sleeve. While holding the top bracket snug to rail from underneath, and using $\frac{1}{8}$ " drill bit, pre-drill first top bracket screw hole (Fig. 9). Drill through bracket hole, vinyl post sleeve and vinyl insert and loosely install first #10 x $1\frac{1}{2}$ " screw.
- b. Repeat pre-drilling process for remaining three screws.
- c. Tightly install screws.
- d. Repeat steps a, b & c for the second top bracket.

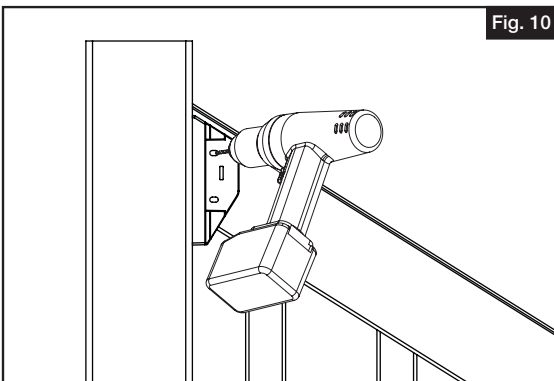


Fig. 10

5 Install side bracket screws and covers

For each installed bracket, pre-drill in the center of each elongated hole with a $\frac{1}{8}$ " drill bit (Fig. 10).

NOTE:

In some cases you will be drilling through aluminum as well as the vinyl railing.

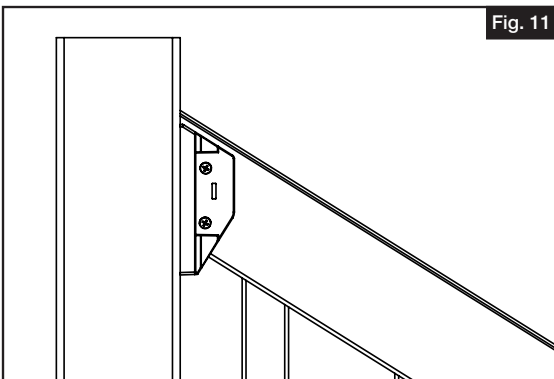


Fig. 11

6 Install #10 x 1" screws in all pre-drilled holes (Fig. 11).

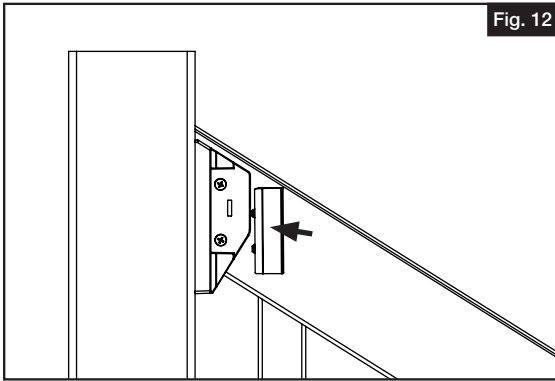


Fig. 12

10 Match letter on inside of bracket cover to the letter on bracket, and snap cover in place (Fig. 12). Repeat for all brackets.

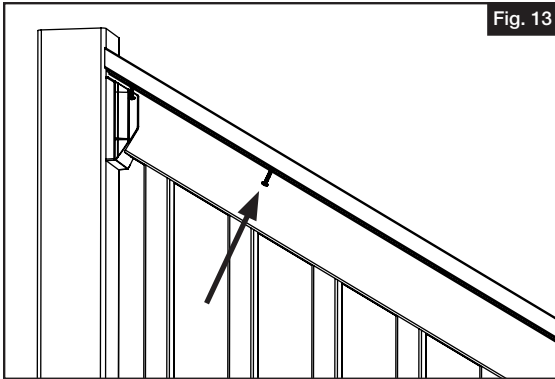


Fig. 13

11 Deck board top rails should be installed after all railing is assembled.

- a. Cut deck board to desired length and place over railing.

NOTE:

Ends of deck boards should be beveled to fit flush to posts

- b. Drive #10 x 3/4" screws up from under rail centered through slotted holes and into deck board (Fig. 14).

NOTE:

Depending on how much of the railing was cut to length, you may need to add a hole (first screw must be approximately 2" from post)

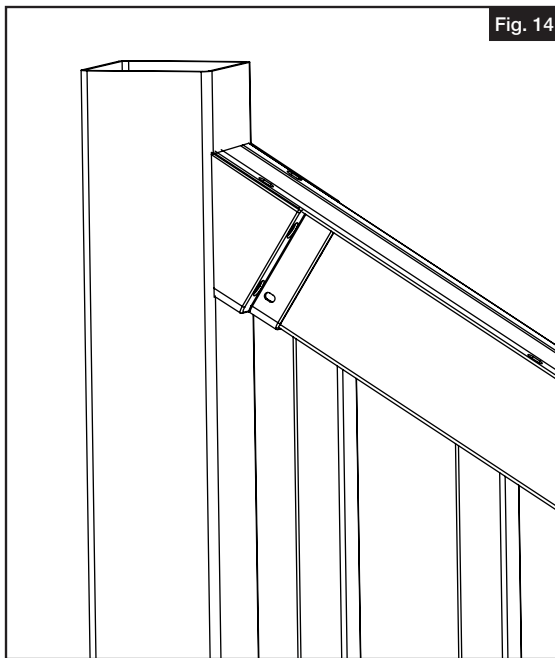


Fig. 14

II. Using Field Cut Angle Bracket:

- 1**
 - a. Slide handrail bracket over ends of railing (Fig. 14). Measure angle required and cut bracket and rail (and aluminum channel) to that angle.
 - b. Repeat for bottom rail.
 - c. Install railing per instructions for stair railing.

To obtain and review a copy of the warranty please go to: <http://www.barretteoutdoorliving.com/warranty/>
 You can also contact 1-800-336-2383 to obtain a copy of the warranty.