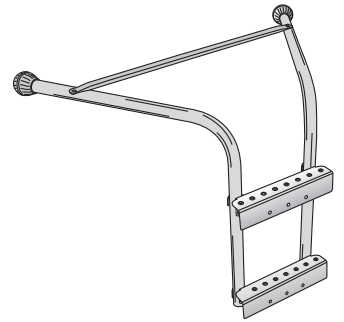




Ladder Stabilizer & Stand-off Assembly Instructions Part #48589



- **Easy to install, put on or take off in seconds!**
- **Makes your extension ladder more stable and safe!**
- **For roofers, painters, general contractors, and homeowners**
- **Stabilizes ladder on roof or wall of house.**

Step 1

Take one side rail (A) and slide step bracket (B) into the upper position (see diagram on back). Note that there are 2 sets of square holes on the step bracket flange for the bolts. The Left side rail utilizes the farthest left round holes. Place 1/4" x 1.75" (C) bolt through and using washer (D) and nylon nut (E), hand tighten only. Repeat with the second bolt, washer and nut.

Step 2

Same procedure above adding the opposite side rail (A). Note again that there are 2 sets of round holes, the left side rail uses the farthest left holes and the right side uses the farthest holes to the right. Slide 2 of the 1/4" x 1.75" bolts (C) and hand tighten using washers (D) and nylon nuts (E).

Step 3

Slide the lower step bracket (B) into the base of both side rails (A), using the same 1/4" x 1.75: bolts (C) hand tighten all four using washers (D) and nylon nuts (E).

Step 4

Attach the tie bar (F) over both side rails (A) using 1/4" x 1.5" Bolt (G). Use washer (D) and nylon nut (E), firmly tighten using 10 mm wrench. Do not over tighten.

Step 5

Make sure that the unit is square before firmly tightening all 8 nuts (E) using a 10 mm wrench. To square unit up, measure diagonally (corner to corner) and bolt to bolt from the upper step bracket to lower step bracket. If the measurements on each diagonal are the same, tighten nuts using 10 mm wrench. If they are not equal, pull on the left or right side rail until these measurements are equal.

Step 6

Install cable tethering pins (2/H) onto the upper step bracket. Slide cable tethering pin ring into the left and right hole of the upper step bracket be sure the rings are attached to the front or climbing side (B). When the stabilizer is installed on a ladder, the pins are inserted back to the front.

Step 7

Slide bumper feet (I) onto the ends of the left and right side rail (A).

Ladder Installation

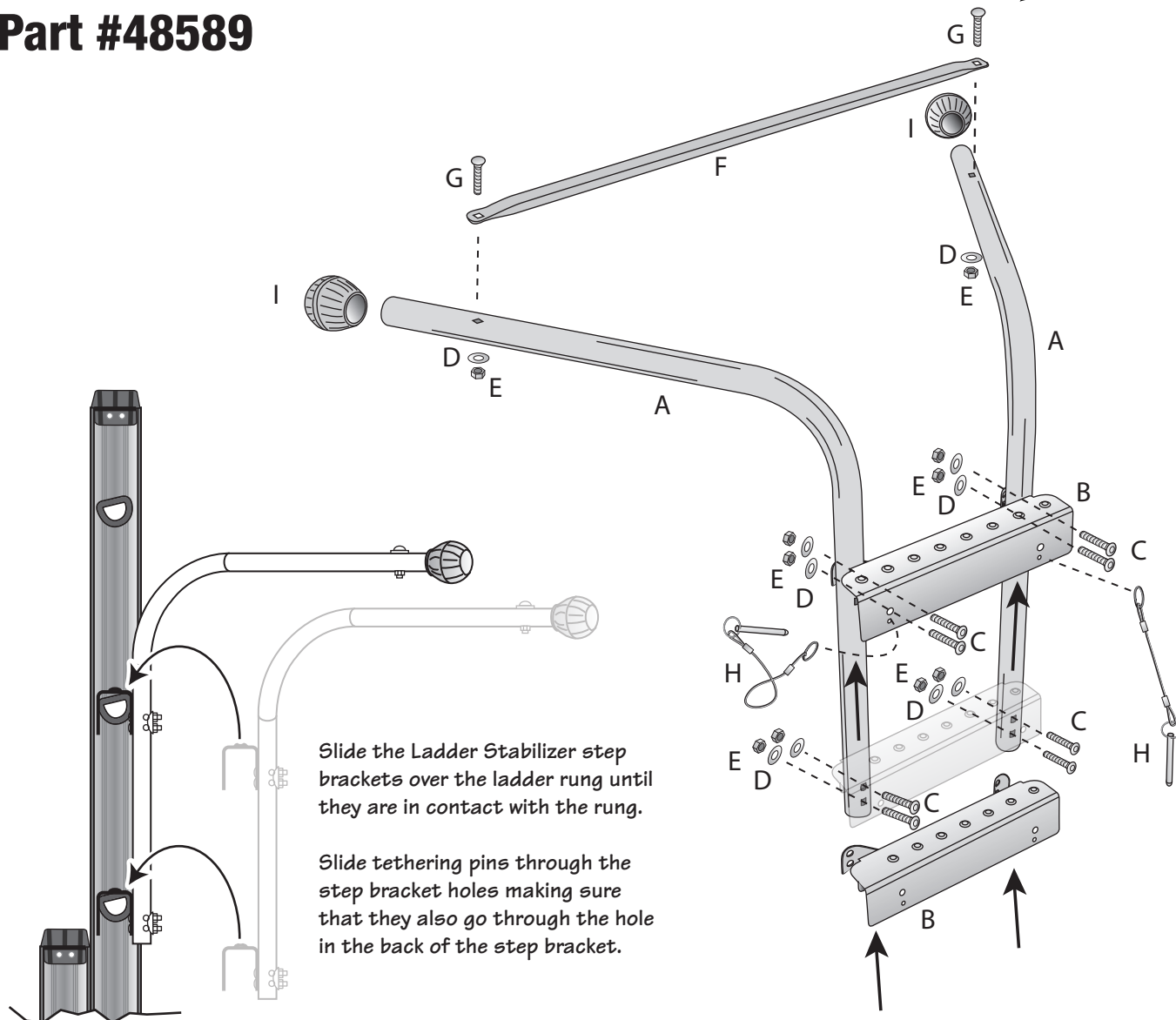
Step 1

Slide the Ladder Stabilizer step brackets over the ladder rung until they are in contact with the rung (see back diagram). For safety, never attach The Ladder Stabilizer to the very top rung. Slide tethering pins through the step bracket hole making sure that they also go through the hole on the opposite side of the step bracket. Never use the stabilizer without the 2 pins properly installed.

Step 2

If using The Ladder Stabilizer to access a roof, allow 3 open rungs for safe access to and from the ladder.

Ladder Stabilizer & Stand-off Assembly Diagram Part #48589



| # | Parts | Qty. | # | Parts | Qty. |
|---|--------------------------------|------|---|-------------------------------|------|
| A | Left and Right Side Rail | 2 | F | Tie Bar | 1 |
| B | Upper and Lower Step Bracket | 2 | G | 1/4"-20 x 1.5" Carriage Bolts | 2 |
| C | 1/4"-20 x 1.75" Carriage Bolts | 8 | H | Cable Tethering Pins | 2 |
| D | Washer 1/4" | 10 | I | Non-Marring Bumper Feet | 2 |
| E | Nylon Nut | 10 | | | |

WARNING

- Never exceed maximum intended load of ladder
- Ladder side rails must extend at least 3 ft. above upper landing surface
- Never stand on rung above The Ladder Stabilizer
- Never stand on or use the tie bar to hold weight
- Use extreme caution and maintain balance when using Ladder Buddy
- Never use The Ladder Stabilizer if damaged or missing fasteners
- Always make sure that Ladder Stabilizer is secured with tethering pins prior to each use
- Never overstretch, keep waist within the ladder rails
- Stay 14 feet away from energized power lines

The Ladder Stabilizer Stand-Off is manufactured and tested to meet or exceed OSHA ladder standards (1926.1053). May be used on Aluminum, Wood, and Fiberglass portable/extension and single section ladders, Type 1A, 1AA, I, II, and III. Warning: Failure to read instructions, as well as follow OSHA, local and State regulations may result in serious injury or death.