

# STINGER®

## CS150B CAP STAPLER OWNER'S MANUAL

OPERATION

MAINTENANCE

SAFETY

WARRANTY



**PLEASE READ!** This manual contains important information about your new tool.

**Congratulations on purchasing the STINGER CS150B Cap Stapler! You have selected a brand and a tool that you can count on to deliver best practice installation, and perform job after job.**

Please take the time to read and understand the information in this Owner's Manual before operating or maintaining your CS150B Cap Stapler.

The CS150B is intended for securing housewrap, foamboard, and roofing felt only.

Improper use of the CS150B could result in serious injury or even death. Most accidents occur because of the failure to observe basic safety rules and precautions, which are outlined in the "Important Information" section of this manual.

This Owner's Manual should be available to anyone who plans to operate the CS150B.

## TABLE OF CONTENTS

|                         |    |
|-------------------------|----|
| Important Information   | 1  |
| Tool Specifications     | 4  |
| Loading the Tool        | 5  |
| Operating the Tool      | 6  |
| Schematic               | 7  |
| Parts List              | 8  |
| Maintenance and Storage | 10 |
| Warranty                | 11 |
| Troubleshooting         | 12 |



## PERSONAL SAFETY ITEMS

- Do not use tool prior to reading the Owner's Manual
- Always wear eye protection that conforms to ANSI requirements (Z87.1) and provides protection against flying particles both from the front and side. Eye protection should be worn by the operator and by others in the work area. Eye protection is required to protect against flying fasteners and debris that could possibly cause severe eye injury.
- The employer is responsible to enforce the use of eye protection equipment by the tool operator and all other personnel in the work area.
- To prevent accidental injuries
  - Handle the tool with care
  - Always assume that the tool contains fasteners
  - Always disconnect the air hose from the CS150B when:
    - loading staples and/or caps
    - performing inspection, maintenance or repair
    - clearing a staple or collated cap jam
    - the tool is not in use
    - leaving the work area
    - moving the CS150B to another work location
    - handing the CS150B to another person
    - storing the tool
  - Never point the tool toward yourself or anyone else
  - Never engage in horseplay
  - Never hold or carry the tool with a finger on the trigger
  - Never place a hand or any other part of the body in the fastener discharge area of the tool while the air supply is connected

## AIR SUPPLY AND CONNECTIONS

- Use only clean, regulated compressed air as a power source for this tool. Do not use bottle gases, combustible gases or oxygen as a power source for the tool as the tool may explode.
- Do not use air supply pressures that exceed 110 PSI. Exceeding the recommended maximum operating air pressure will greatly increase tool wear.
- The air supply must be capable of maintaining the operating air pressure of the tool. Pressure drops in the air supply can reduce tool wear.
- Use a pressure regulator and gauge to allow visual inspection of the air pressure being delivered to the tool.
- Use air hoses that have rated pressures of up to 150% of the maximum pressure that can be generated by the power source. The supply hose should contain fittings that will provide quick disconnecting from the male plug on the tool.
- Use quick connect fittings that allow the tool to be unhooked from the air supply quickly and easily.
- Do not use fittings that will not allow the tool to exhaust when the air supply is disconnected.

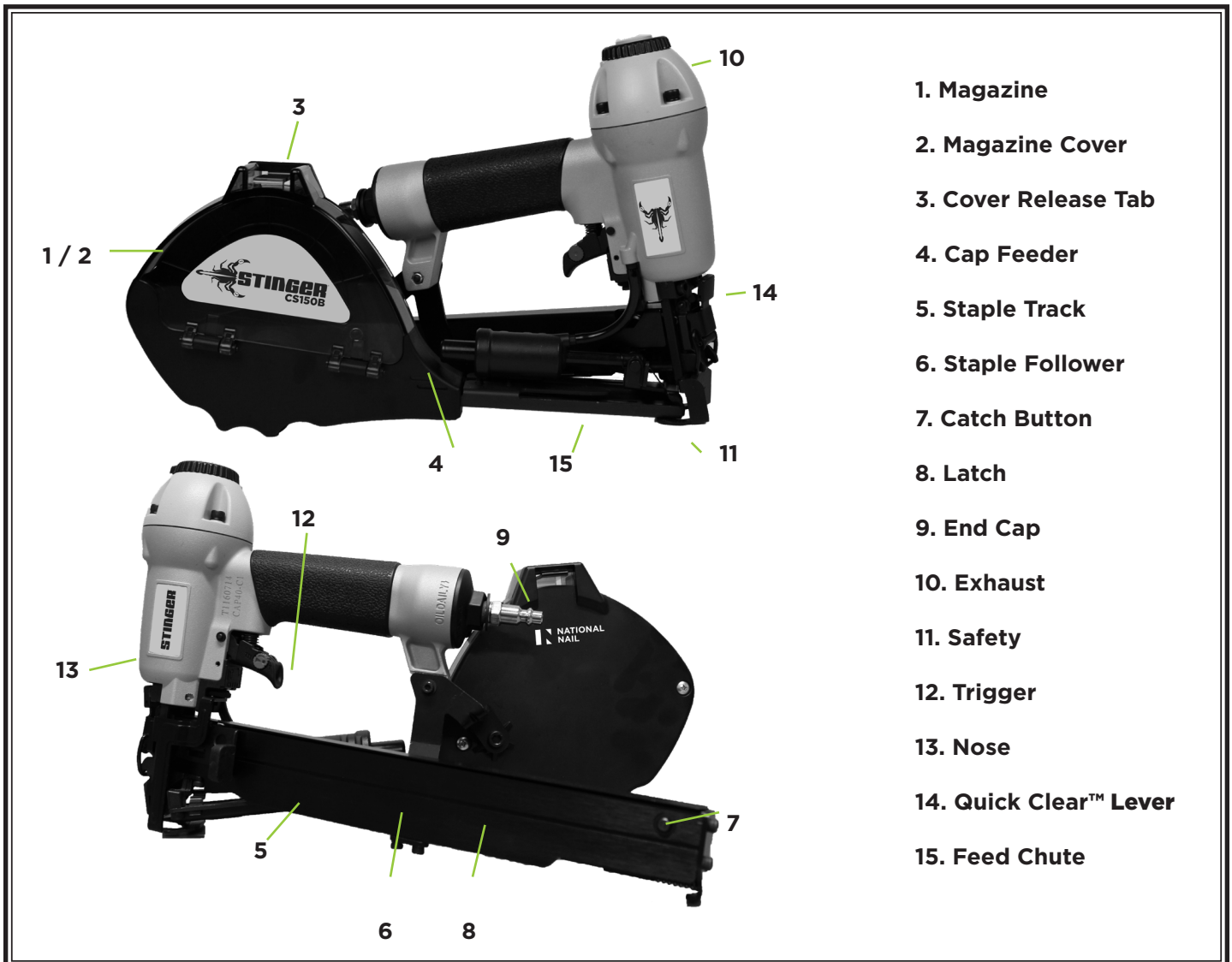
## OPERATION OF THE TOOL

- Never inspect, maintain, repair, adjust, clear a jam or store the tool with the air connected.
- Never use the tool in proximity of flammable gases or liquids, as some tools will create sparks that can be an ignition source for a fire or explosion.
- Always inspect the safety device for damage and proper operation prior to operation.
- Never assume the tool is empty of fasteners.
- Never point the tool toward yourself or any other persons.
- Never cycle the tool unless it is in contact with the work-piece.
- Never use the tool as a hammer or wedging device or drop to the floor from any height.
- Always remove your finger from the trigger when pausing from cycling.
- Never tamper with the safety device or use the tool if the safety device is not functioning properly.
- Use only STINGER® StaplePac® cap fasteners with the STINGER CS150B Cap Stapler. Never use any fasteners that are not specified for use in this tool. The CS150B holds 1 coil of plastic caps (200 caps) and 2 strips of staples (100 staples each).

# TOOL SPECIFICATIONS

|                    |   |
|--------------------|---|
| Operating Pressure | 80 - 110 PSI*   |
| Weight             | 4.2lbs  |
| Staple Capacity    | 200 staples (2 - 100 count strips)  |
| Cap Capacity       | 200 collated plastic caps (1 reel)  |
| Air Inlet          | 1/4"  |
| Fasteners          | STINGER® StaplePac® only. Each 2000 count StaplePac consists of 20 strips of 5/8", 7/8", 1-1/4", and 1-1/2" 18 gauge staples (100 staples per strip) and 10 reels of 1" diameter collated plastic caps (200 caps per reel). |

*\*May require depth adjustment on tool depending on materials used and length of fastener used*



1. Magazine
2. Magazine Cover
3. Cover Release Tab
4. Cap Feeder
5. Staple Track
6. Staple Follower
7. Catch Button
8. Latch
9. End Cap
10. Exhaust
11. Safety
12. Trigger
13. Nose
14. Quick Clear™ Lever
15. Feed Chute

## LOADING THE TOOL



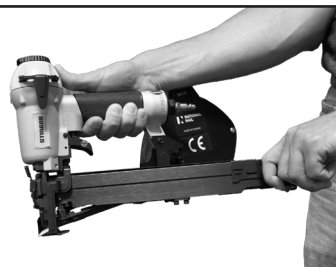
- Disconnect air. Open the Magazine Cover.



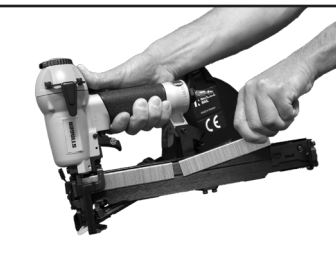
- Place cap reel in the Magazine - make sure the front end of the cap coil is placed over the cap guide area of the Magazine. Insert lead cap into the Feed Chute. Close the Magazine Cover.



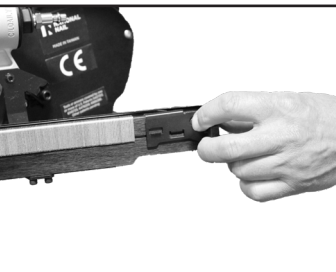
- Slide caps along the Feed Chute with fingers until they engage the Cap Feeder. Pull the Cap Feeder back and release to advance the caps until the first cap is under the Nose of the tool.



- Pull back the Staple Follower until the Latch catches.



- Place staples in the Staple Track.



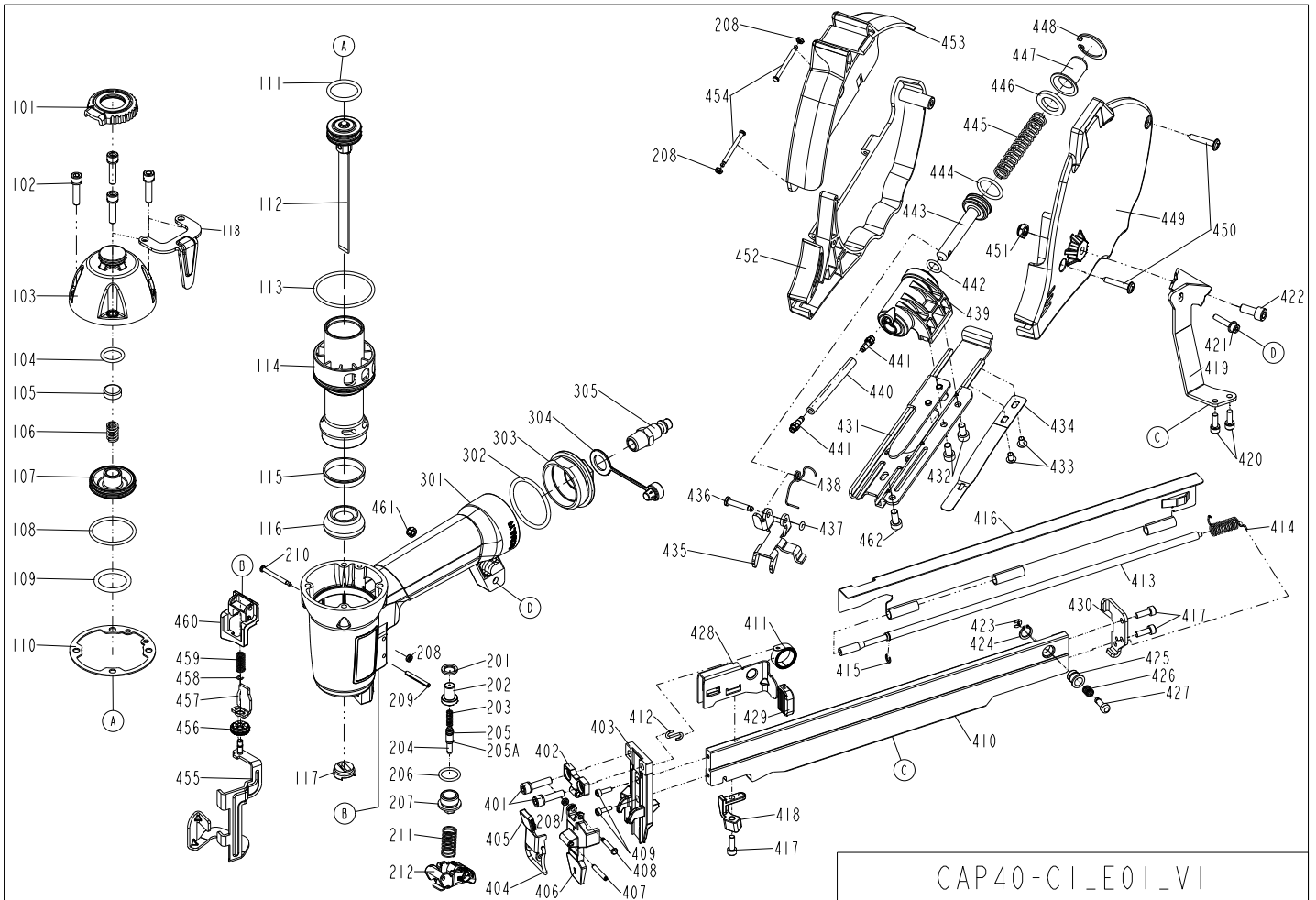
- Release the Catch Button. Plug into the air source. The tool is ready to use!



### **DO NOT USE CS150B PRIOR TO READING THIS OWNER'S MANUAL**

1. Read warning label(s) on the tool
2. Visually inspect the tool for worn or damaged parts
3. Wear appropriate eye and ear protection
4. Install a male pneumatic fitting into the End Cap of the tool, ensuring that the fitting allows the tool to exhaust any air in the tool when the hose is disconnected
5. Add 2 drops of non-detergent, 20-weight oil into the male fitting daily
6. Connect the air hose to the tool using a quick connect fitting, and check the air pressure reading on the regulator to ensure it does not exceed 110 PSI. Check the tool for any air leaks.
7. Place the tool, empty of fasteners, in operating position on a scrap work piece - fully depress the Safety and pull the Trigger to verify that the tool cycles.
8. Disconnect the air hose from the tool when:
  - Loading staples and/or caps
  - Performing inspection, maintenance, or repair
  - Clearing a staple or collated cap jam
  - The tool is not in use
  - Leaving the work area
  - Moving the tool to another work location
  - Handing the tool to another person
  - Storing the tool
9. Following recommended loading instructions, load the fastener approved for use in the tool.
10. Cycle the tool on a scrap piece to evaluate the depth of penetration by the fastener into the work piece.
11. To adjust the depth of penetration, regulate the air pressure at the air compressor and/or disconnect the air hose, adjust the depth control wheel, connect the air hose, and cycle the tool on a scrap work piece to evaluate the adjustment.
12. Repeat Step 11 as needed to set the correct depth, using the minimum amount of air pressure to drive the fastener.

# CS150B SCHEMATIC



contact Inside Sales at 800 - 746 - 5659 to place an order for replacement parts

# CS150B PARTS LIST

| Ref. No. | Item No.        | Description          | National Nail Item # |
|----------|-----------------|----------------------|----------------------|
| 101      | 11371-0394701-3 | DEFLECTOR            | 0138500              |
| 102      | 2040100-03070-0 | BOLT ASSY            | 0138501              |
| 103      | 11369-123V001-1 | CAP                  | 0138502              |
| 104      | 2041100-02020-0 | O - RING             | 0138503              |
| 105      | 11370-0010003-1 | SEAL                 | 0138504              |
| 106      | 11360-0010001-3 | COMPRESSION SPRING   | 0138505              |
| 107      | 11368-0010006-1 | HD.VALVE PISTON      | 0138506              |
| 108      | 2041108-04010-0 | O - RING             | 0138507              |
| 109      | 2041108-03120-0 | O - RING             | 0138508              |
| 110      | 1132M-1234701-1 | PACKING              | 0138509              |
| 111      | 2041108-03010-0 | O - RING             | 0138510              |
| 112      | 11204-1230003-1 | DRIVER UNIT          | 0138511              |
| 113      | 2041109-05020-0 | O - RING             | 0138512              |
| 114      | 11320-0390008-3 | CYLINDER             | 0138513              |
| 115      | 11322-0010001-1 | CYLINDER RING        | 0138514              |
| 116      | 11327-0390001-1 | BUMPER               | 0138515              |
| 117      | 11301-1234701-1 | JOINT GUIDE          | 0138516              |
| 118      | 1133D-1234701-1 | SPRING RETAINER      | 0138517              |
| 201      | 1133R-0010001-1 | SEAL                 | 0138518              |
| 202      | 11373-0010002-2 | TRIGGER VALVE HEAD   | 0138519              |
| 203      | 1133U-0014701-1 | SPRING               | 0138520              |
| 204      | 11375-0154701-1 | PLUNGER              | 0138521              |
| 205      | 2041102-01030-0 | O - RING             | 0138522              |
| 205A     | 2041102-01031-0 | O - RING             | 0138523              |
| 206      | 2041105-02010-0 | O - RING             | 0138524              |
| 207      | 11374-0014702-1 | TRIGGER VALVE GUIDE  | 0138525              |
| 208      | 1131D-0460001-1 | URETHANE RETAINER    | 0138526              |
| 209      | 2040404-05130-0 | SPRING PIN           | 0138527              |
| 210      | 11318-0464701-1 | TRIGGER PIVOT PIN    | 0138528              |
| 211      | 11376-0260001-1 | SPRING               | 0138529              |
| 212      | 11224-1710001-1 | TRIGGER UNIT         | 0138530              |
| 301      | 11230-1236602-1 | GUN BODY UNIT        | 0138531              |
| 302      | 2041109-04060-0 | O - RING             | 0138532              |
| 303      | 11346-0011304-1 | END CAP              | 0138533              |
| 304      | 1132L-0014701-1 | DUSTY COVER          | 0138534              |
| 305      | 1135V-0000007-1 | AIR PLUG             | 0138535              |
| 401      | 2040100-03030-2 | BOLT ASSY            | 0138536              |
| 402      | 11353-1234702-1 | DRIVER GUIDE COVER B | 0138537              |
| 403      | 11303-1234702-1 | DRIVER GUIDE         | 0138538              |
| 404      | 11244-1234702-1 | LOCK HANDLE UNIT     | 0138539              |
| 405      | 1135F-1044701-1 | PUSHER CUSHION       | 0138540              |
| 406      | 11352-1234702-1 | DRIVER GUIDE COVER A | 0138541              |
| 407      | 2040401-05100-0 | SPIRAL PINS          | 0138542              |
| 408      | 11324-0624701-2 | FIXED PIN            | 0138543              |
| 409      | 2040101-01050-2 | HEX.SOC.HD.BOLT      | 0138544              |
| 410      | 11304-1234702-1 | MIDDLE STRIP         | 0138545              |

# CS150B PARTS LIST

|     |                 |                        |         |
|-----|-----------------|------------------------|---------|
| 411 | 11372-1230001-1 | SPRING                 | 0138546 |
| 412 | 1133D-0684701-1 | SPRING RETAINER        | 0138547 |
| 413 | 11395-1234701-1 | ROD                    | 0138548 |
| 414 | 11315-1234701-1 | SPRING A               | 0138549 |
| 415 | 2040312-00010-0 | C - RING               | 0138550 |
| 416 | 11348-1234702-1 | MOUNTING BRACKET       | 0138551 |
| 417 | 2040101-02060-2 | HEX.SOC.HD.BOLT        | 0138552 |
| 418 | 1131F-1234701-1 | ANCHOR BLOCK           | 0138553 |
| 419 | 11323-1234702-1 | BRACKET A              | 0138554 |
| 420 | 2040100-02060-2 | BOLT ASSY              | 0138555 |
| 421 | 2040100-02160-0 | BOLT W/FLAT WASHER     | 0138556 |
| 422 | 2040101-04030-0 | HEX.SOC.HD.BOLT        | 0138557 |
| 423 | 2040302-23010-0 | E - RING               | 0138558 |
| 424 | 2040301-10010-0 | SNAP RING              | 0138559 |
| 425 | 1130W-1714701-1 | DOOR LATCH COVER       | 0138560 |
| 426 | 11311-0704701-1 | LATCH SPRING           | 0138561 |
| 427 | 11310-0704701-1 | DOOR LATCH             | 0138562 |
| 428 | 11363-1234702-1 | PUSHER                 | 0138563 |
| 429 | 1135F-0684701-1 | PUSHER CUSHION         | 0138564 |
| 430 | 11323-1234703-1 | BRACKET B              | 0138565 |
| 431 | 113EA-1234701-1 | TRACK                  | 0138566 |
| 432 | 2040101-03040-0 | HEX.SOC.HD.BOLT        | 0138567 |
| 433 | 2040102-02060-0 | HALF ROUND HD.HEX.BOLT | 0138568 |
| 434 | 1137E-1234701-1 | FIX-PLATE              | 0138569 |
| 435 | 1137D-1234702-1 | PUSHING                | 0138570 |
| 436 | 11365-1234701-1 | PIN FEED PISTON        | 0138571 |
| 437 | 2041100-01040-0 | O - RING               | 0138572 |
| 438 | 11315-1234702-1 | SPRING                 | 0138573 |
| 439 | 113DA-1234701-1 | FEEDING TRACK          | 0138574 |
| 440 | 113BJ-1234701-1 | INLET                  | 0138575 |
| 441 | 113BS-1234701-1 | CONNECT NUT            | 0138576 |
| 442 | 2041100-01030-0 | O - RING               | 0138577 |
| 443 | 11364-1234701-1 | FEED PISTON            | 0138578 |
| 444 | 2041100-02040-0 | O - RING               | 0138579 |
| 445 | 11367-1234701-1 | PUSHER SPRING          | 0138580 |
| 446 | 1134W-1230001-1 | FEED BUMPER            | 0138581 |
| 447 | 11366-1234701-1 | FEED PISTON CAP        | 0138582 |
| 448 | 2040300-01010-0 | C - RING               | 0138583 |
| 449 | 1136H-1234701-1 | FIXED-SEAT A           | 0138584 |
| 450 | 2040107-02230-0 | PHILLIPS SCREW         | 0138585 |
| 451 | 2040500-04010-0 | LOCK NUT               | 0138586 |
| 452 | 1136H-1234702-1 | FIXED-SEAT B           | 0138587 |
| 453 | 113AT-123B501-1 | DOOR                   | 0138588 |
| 454 | 11318-0834701-1 | TRIGGER PIVOT PIN      | 0138589 |
| 455 | 11254-1234702-1 | SAFETY A UNIT          | 0138590 |
| 456 | 11393-0804701-1 | ADJUST AXIE            | 0138591 |
| 457 | 11332-0804701-1 | SAFETY B               | 0138592 |
| 458 | 1131C-0664701-1 | RING                   | 0138593 |
| 459 | 11319-0014701-1 | SPRING                 | 0138594 |
| 459 | 11319-0014701-1 | SPRING                 | 0138594 |
| 460 | 11338-1234701-1 | SAFETY GUIDE           | 0138595 |
| 461 | 2040500-02010-0 | LOCK NUT               | 0138596 |
| 462 | 2040101-03050-2 | HEX.SOC.HD.BOLT        | 0138597 |

### MAINTENANCE

1. Disconnect the air hose from the tool when performing inspections, maintenance, or repairs.
2. Use air line lubricators. If lubricators are not available, or if hose length exceeds 10 feet, add 2 drops of non-detergent 20-weight oil daily into the air inlet of the tool.
3. Whenever repairs or replacement of parts inside the body occur, check the piston "O" ring for adequate grease lubrication.
4. Never use any parts other than genuine STINGER replacement parts. To order, call 800-746-5659.
5. Periodically clean the Magazine and Nose of the tool with a mild solvent.

### STORAGE

1. Disconnect the air hose when storing the tool.
2. Never store the tool in cold weather environments for any duration of time as any frost or ice formation in the tool will cause tool failures.
3. For prolonged storage, add 2 drops of oil to the air inlet of the tool prior to discontinuing use. Also clean the exterior of the tool with a mild solvent.

## WARRANTY ITEMS

1. Warranty for cap assemblies, castings and housing castings is one year.
2. Warranty for bumpers, “O” rings, driver blades and piston rings is not applicable as they are normal wearing parts whose life is dependent on application.
3. Warranty for all other parts is 90 days.

## WARRANTY CONDITIONS

1. The beginning date in which the warranty is in force is the date of purchase.
2. The warranty is not transferable.
3. The warranty is voided by any of the following:
  - a. Abuse, misuse, or damage to the tool
  - b. Use of parts other than genuine STINGER parts
  - c. Use of fasteners not designated for use in the tool
  - d. Modifications to the tool that alter the original function or intent of use of the tool by anyone other than National Nail
4. National Nail Corp. retains the right to replace or repair any warranty items it deems necessary.

# TROUBLE SHOOTING

*DISCONNECT THE AIR HOSE FROM THE TOOL WHEN PERFORMING INSPECTIONS, MAINTENANCE, OR REPAIRS.*

## PROBLEM

1. Tool operates, but no fasteners are driven

2. Cap leaks air

3. Fasteners jam in nose of tool

4. Weak drive

5. Skipping fasteners

6. Fasteners will not drive completely into work piece

## CORRECTION

Check Magazine for proper fasteners. Fasteners should slide freely in and out of the magazine

Tighten cap screws

- Remove fasteners from Magazine
- Open Quick Clear™ Lever, remove jammed fastener and close Latch.
- Load tool

Check to make sure there is adequate air supply

- Replace Bumper if worn
- Use only recommended fastener size
- Replace Magazine if worn
- Check air supply as it may be too low or too high

- Adjust the depth of drive
- Check air supply as it may be too low or too high
- Inspect driver blade for damage

*Please contact Inside Sales for technical support if you have any other problems  
800 - 746 - 5659*



To learn more about our products  
and services, check us out at:



*@stingersystems*

**STINGERWORLD.COM**