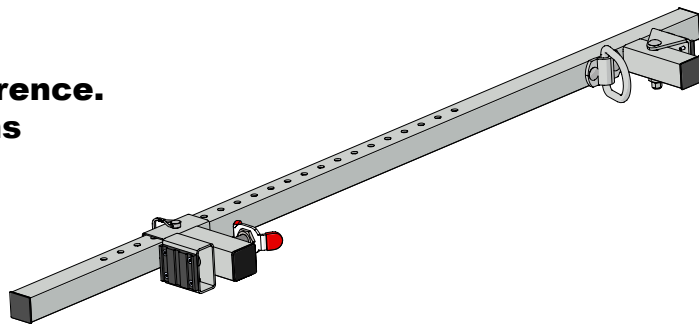


Window/Door Jamb Anchor Instruction Manual

Keep these instructions for future reference.
Read and understand these instructions
before using this product.



Use these instructions as part of a training program as required by OSHA and any applicable state agency. The user must understand how to safely use the Window/Door Jamb Anchor and all safety equipment used with the Window/Door Jamb Anchor.

A competent person who is highly trained and experienced, assigned by the employer, must be responsible for all elements of a fall safety program, including the regulation, management, and application as it relates to the use of the Window/Door Jamb Anchor and related components.

1/0 - APPLICATIONS:

- 1/1 PURPOSE:** Tie Down's Window/Door Jamb Anchor is a portable anchorage connector designed for fall arrest applications and was developed to be used in locations where a door or window frame provides an anchor site. Do not hang, lift, or support tools and/or equipment from this device.
- A. FALL ARREST:** In this application, the Window/Door Jamb Anchor is used as part of a complete fall arrest system. Such systems typically include a full body harness, and must include either a shock absorbing lanyard or self retracting lifeline. Maximum permissible free fall is 6 ft. (1.8 m).
- 1/2 LIMITATIONS:** Before using this product the following application limitations must be recognized and considered.
- A. ANCHORAGE:** This anchorage connector system is intended to be installed on a Window/Door Jamb Anchor up to 52 inches wide.
- B. CAPACITY:** This anchorage connector system is designed for use by one person with a combined weight (person, clothing, tools, etc.) of no more than 310 lbs. (141 kg). Only one personal protective system may be connected to the anchorage connector.
- C. FREE FALL:** Personal fall arrest systems must be rigged in such a way as to limit the free fall to a maximum of 6 feet (1.8 m) (Ref. ANSI Z359.1).
- D. FALL CLEARANCE:** Make certain that enough clearance exists in every potential fall paths to prevent striking an object or injuring a person(s). The amount of clearance needed is dependent upon the type of connecting subsystem used (e.g. shock absorbing lanyard or self retracting lifeline) and the anchorage location. Refer to manufacturer's instructions of the connecting subsystem or component for more information on fall clearance.



On-line Manual

MADE
IN THE
USA

Instruction Sheet #08356
E1796, Rev. 9/29/20

TIE DOWN
MANUFACTURING INGENUITY

404-344-0000 • www.tiedown.com
605 Stonehill Drive SW, Atlanta, GA 30336
sales@tiedown.com

Window / Door Jamb Anchor

E. CORROSION: Do not leave this equipment for long periods of time in environments where corrosion of metal parts is probable due to vapors rising into the atmosphere from organic materials. Caution should be exercised when working around sewage or fertilizer due to their high concentration of ammonia, which is very corrosive. Using this equipment near sea water or other corrosive environments may require more frequent inspections or servicing to assure corrosion damage is not affecting the performance of the product.

F. CHEMICAL HAZARDS: Solutions containing acids, alkali, or other caustic chemicals, especially at elevated temperatures, may cause damage to this equipment. When working with such chemicals, frequent inspection of this equipment must be performed.

G. HEAT: This equipment is not designed for use in high temperature environments.

1/3 APPLICABLE STANDARDS: Refer to national standards, including the ANSI Z359 (.0, .1, .2, .3, and .4) family of standards on fall protection, ANSI A10.32, and applicable local, state, and federal (OSHA) requirements governing occupational safety, for more information on fall arrest systems.

2/0 SYSTEM REQUIREMENTS

2/1 COMPATIBILITY OF CONNECTORS: Connectors are considered to be compatible with connecting elements when they have been designed to work together in such a way that their sizes and shapes do not cause their gate mechanisms to inadvertently open regardless of how they become oriented. Contact Tie Down if you have any questions about compatibility.

Connectors (hooks, carabiners, and D-rings) must be capable of supporting at least 5,000 lbs. (22.2 kN).

Connectors must be compatible with the anchorage or other system components. Do not use equipment that is not compatible. Non-compatible connectors may unintentionally disengage. See Figure 2. Connectors must be compatible in size, shape, and strength. Self locking snap hooks and carabiners are required by ANSI Z359.1 and OSHA.

2/2 MAKING CONNECTIONS: Only use self-locking snap hooks and carabiners with this equipment. Only use connectors that are suitable to each application. Ensure all connections are compatible in size, shape and strength. Do not use equipment that is not compatible. Ensure all connectors are fully closed and locked.

2/3 ANCHORAGE STRENGTH: Anchorages selected for personal fall arrest systems (PFAS) should have a strength capable of sustaining static loads, applied in the directions permitted by the PFAS, of at least: (A) 3,600 lbs. (16 kN) when certification exists (Reference ANSI Z359.1 for certification definition), or (B) 5,000 lbs. (22.2 kN) if in the absence of certification.

3/0 OPERATION AND USAGE:

3/1 BEFORE EACH USE of this equipment, carefully inspect it to ensure that it is in serviceable condition. Check for worn or damaged parts; verify all hardware is present and secure and is not distorted, or have any sharp edges, burrs, cracks, or corrosion. Refer to section 4.0 for further inspection details. Do not use this equipment if inspection reveals an unsafe condition.

3/2 PLAN your fall arrest system before starting work. Consider factors that affect your safety at any time during use. The following list includes some, but not all, important points to consider when planning your system:

A. ANCHORAGE: Select an anchorage point that is rigid and capable of supporting the required loads. See section 2.3.

B. FREE FALL: Personal fall arrest systems must be rigged to limit any free fall to a maximum of 6 feet (1.8 m) (Federal Law and ANSI Z359.1). Avoid working above your anchorage level since an increased free fall distance will result. Consult Tie Down for maximum free fall distances for applications other than fall arrest.

C. SYSTEM PERFORMANCE: The Window/Door Jamb Anchor must be used in combination with either a shock absorbing lanyard or a self retracting lifeline that will limit the maximum fall arrest forces to 1800 lbs.

D. FALL CLEARANCE: Should a fall occur, there must be sufficient clearance in the fall area to arrest the fall before striking the ground or other object. The actual clearance required is dependent upon the type of fall arrester connecting subsystem used (shock absorbing lanyard or self retracting lifeline). Energy Absorbing Lanyards can extend the fall arrest distance by up to 42 inches (1.07 m).

If you have damaged or missing parts, call our Customer Service: 404-344-0000

Window / Door Jamb Anchor

E. SWING FALLS: Swing falls occur when the anchorage point is not directly above the point where a fall occurs. See Figure 1. The force of striking an object while swinging can be great and may cause serious injury. Swing falls can be minimized by working as directly below the anchorage as possible. Do not work at more than a 30 degree angle from vertical below the Window/Door Jamb Anchor, working beyond this range could create a swing fall situation. See Figure 2.

Figure 1

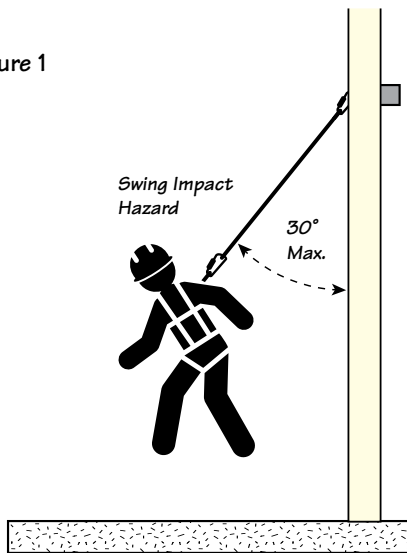
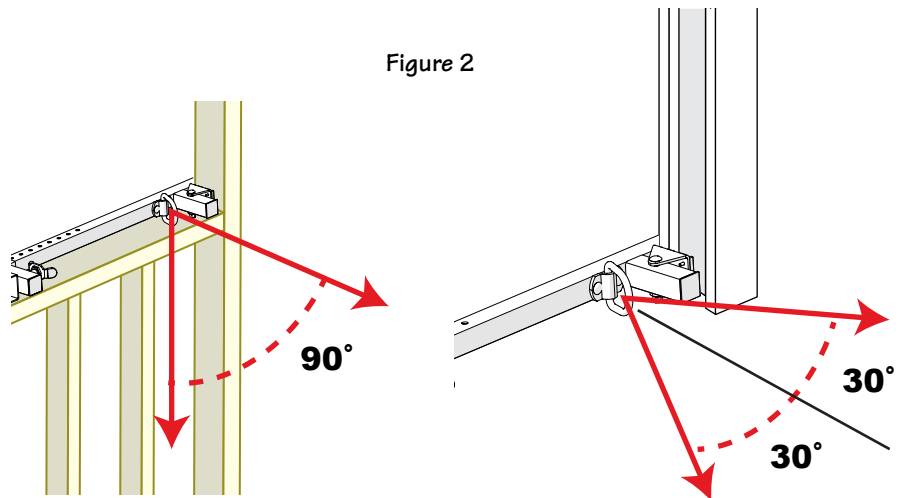


Figure 2



F. SHARP EDGES: Avoid working where the connecting subsystem (e.g. shock absorbing lanyard, self retracting lifeline, full body harness, etc.) or other system components will be in contact with, or abrade against, unprotected sharp edges. If working with this equipment near sharp edges is unavoidable, protection against cutting must be provided by using a heavy pad or other materials over the exposed sharp edge.

G. RESCUE: Should a fall occur, the user (employer) must have a rescue plan and the means at hand to implement it.

H. AFTER A FALL: Any equipment involved in the forces of arresting a fall must be removed from service immediately and destroyed or sent to a factory-authorized service center for repair.

I. ABUSE: Avoid dropping the Window/Door Jamb Anchor or allowing it to strike against a structure that could damage it.

J. FOREIGN ELEMENTS: Avoid contaminating the equipment with paints, cement or other materials which could adversely effect the performance of the product.

3/3 INSTALLATION REQUIREMENTS:

A. SUPERVISION: It is recommended that this equipment is installed under the supervision of a qualified person as defined by OSHA 1910.66 Appendix C.

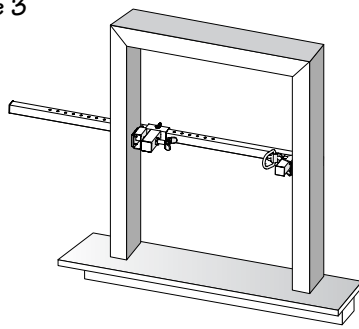
B. ANCHORAGE CONNECTOR LOCATION: Select an anchorage with suitable anchorage strength requirements which will provide the best overall safety to the user. The following are some, but not all, considerations that must be made when choosing an anchorage location: the Window/Door Jamb Anchor has a maximum of 52 inches door/window width. See Figure 3.

The location must be safely accessible when connecting to or disconnecting from the anchor. Swing falls should not be permitted if injury could occur if a user fell. The location must be free of other equipment or moving parts, there must be adequate total fall clearance, and there must be a rescue plan.

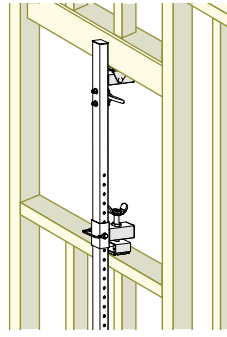
If you have damaged or missing parts, call our Customer Service: 404-344-0000

Window / Door Jamb Anchor

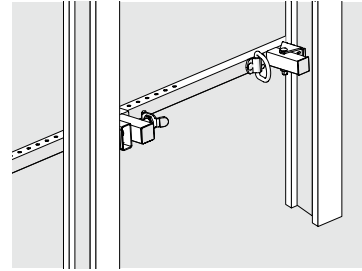
Figure 3



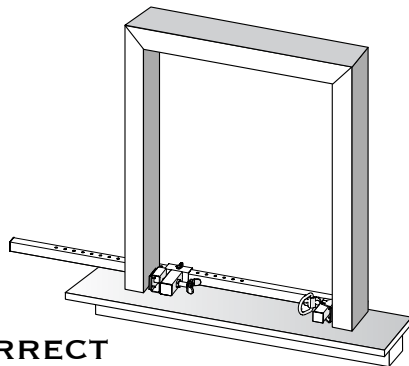
INCORRECT



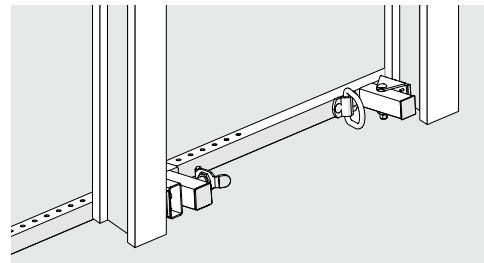
INCORRECT



INCORRECT



CORRECT



CORRECT

3/4 MAKING CONNECTIONS: When connecting to the Window/Door Jamb Anchor, self-locking snap hooks or self-locking and self-closing gate carabiners must be used to reduce the possibility of roll-out. Do not use hooks or connectors that will not completely close over the attachment object. Do not use non-locking snap hooks. Always follow the manufacturer's instructions supplied with each system component. **WARNING: Read and follow manufacturer's instructions for associated equipment (e.g. full body harness, shock absorbing lanyard, self retracting lifeline, etc.) used in your personal fall arrest system.**

3/5 CONNECTING TO THE WINDOW/DOOR JAMB ANCHOR: The Window/Door Jamb Anchor is an anchorage connector for a shock absorbing lanyard or a self retracting lifeline. Make sure the connector (e.g. self-locking snap hook of lanyard) is fully engaged and locked onto the back D-ring (dorsal) of the body support. Make sure connections are compatible (size, shape, strength, etc.).

If connecting a shock absorbing lanyard to the Window/Door Jamb Anchor, follow the above instructions to connect one end of lanyard (shock absorber pack end) to body support and connect the other end to the Window/Door Jamb Anchor making sure the self-locking snap hook is fully engaged and locked onto the D-ring.

If using a self retracting lifeline, it must be connected to the D-ring with a self-locking and self-closing carabiners (attach the carabiners to the anchorage location on SRL), the self retracting lifeline must hang vertically. Then connect the lifeline end of the SRL to the body support (harness). Make sure the connector (e.g. self-locking snap hook, carabiner) is fully engaged and locked onto the anchorage connector, SRL and body support. Make sure connections are compatible (size, shape, strength, etc.). If installing a horizontal lifeline, follow the manufacturer's instructions for installation and follow instructions provided with the horizontal lifeline system.

TRAINING

It is the responsibility of the user and the purchaser of this equipment to assure they are familiar with these instructions, trained in the correct care and use of equipment, and aware of the operating characteristics, application limits and the consequences of improper use of this equipment.

IMPORTANT: Training must be conducted without exposing the trainee to a fall hazard. Training should be repeated on a periodic basis.

Window / Door Jamb Anchor

Figure 4

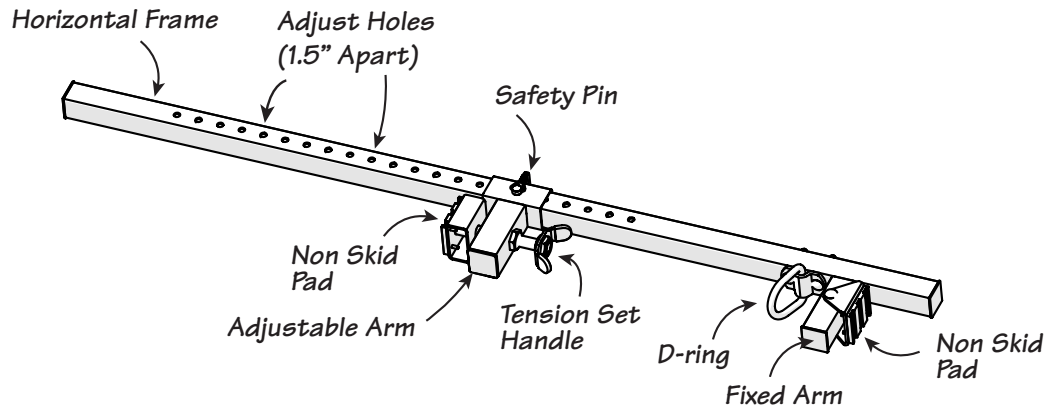
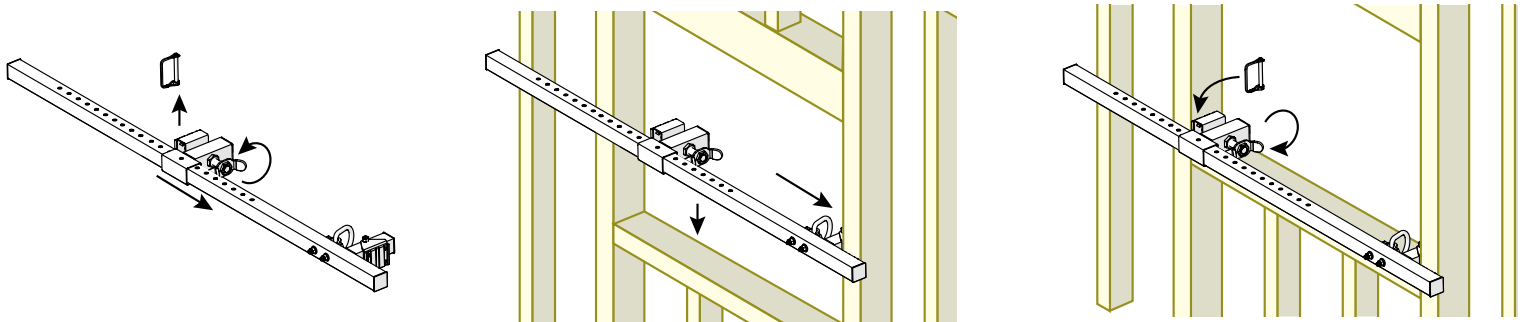


Figure 5



Step 1

- Loosen tension set handle
- Remove the safety pin
- Slide adjustable arm inward towards the fixed arm

Step 2

- Position anchor flat on sill
- Position fixed arm against the jamb

Step 3

- Slide the adjustable arm against the sill
- Insert the safety pin to the closest hole nearest to the sill
- Tighten the tension set handle

4/0 INSPECTION

- 1 Inspect the Window/Door Jamb anchor for physical damage. Look carefully for any signs of cracks, dents, or deformities in the metal.
- 2 Inspect the Window/Door Jamb for signs of excessive corrosion.
- 3 Ensure that the working parts are free from excessive dirt, oil, or other build-up.
- 4 Inspect the D-ring, fixed arm, and non skid pads. The D-ring must be free of cracks, dents or deformities in the metal. The fixed arm and tension set handle must be undamaged.
- 5 Inspect the points of the adjustment holes. The non skid pads must not be broken and must “bite” into the door/window frame.
- 6 Inspect the safety pin to ensure that it inserts fully through the adjustment setting holes of the adjustable arm.
- 7 Inspect labels. All labels should be present and fully legible. See section 6. Labels must be replaced if illegible or missing.
- 8 Inspect each system component or subsystem per associated manufacturer’s instructions.
- 9 Record the inspection date and results in the inspection log. See inspection chart on the last page.

IMPORTANT:

Extreme working conditions (harsh environments, prolong use, etc.) may require increasing the frequency of inspections. If this equipment has been subjected to forces resulting from the arrest of a fall, it must be immediately removed from service and destroyed or returned to Tie Down for possible repair.

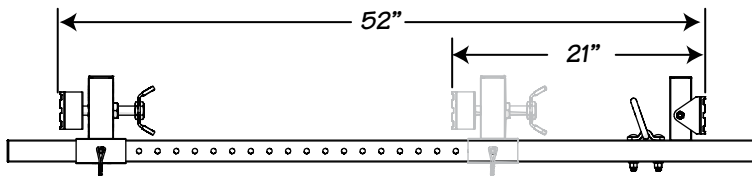
Window / Door Jamb Anchor

5/0 SPECIFICATIONS:

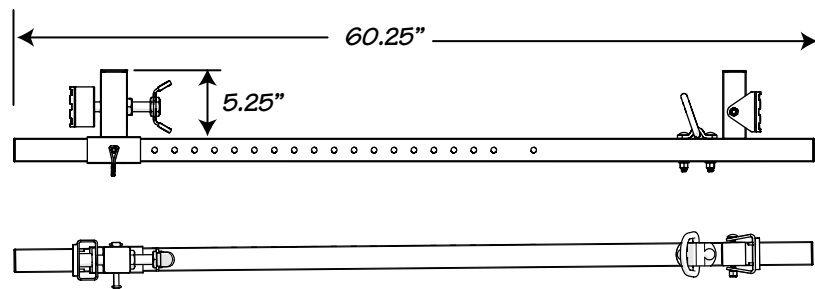
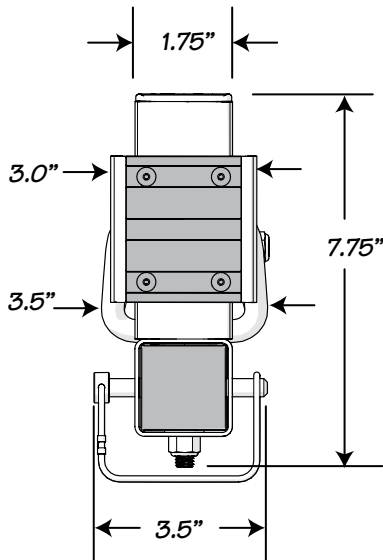
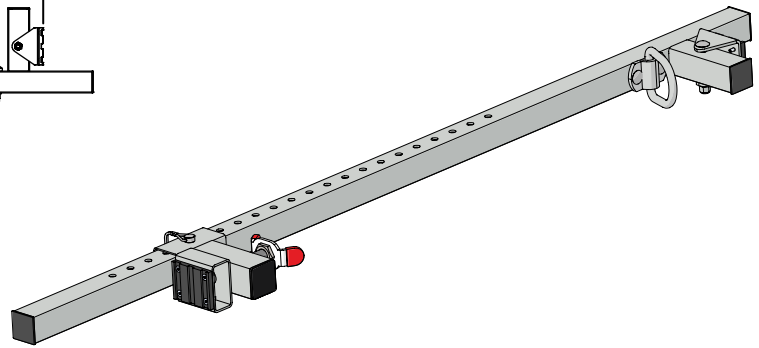
5/1 Materials:

- Material: Zinc Plated Steel
- Minimum Breaking Strength: 5,000 lbs.
- Maximum Capacity: 310 lbs. (one person)
- Weight: 20 lbs.
- Tube: 1.75" x 1.75" x 11 Gauge ASTM A500

5/2 Dimensions :



Adjustable for Windows or Doors



Window / Door Jamb Anchor

6/0 LABELS:

6/1 The labels shown below must be present and fully legible.

If the labels are damaged or illegible contact Tie Down for replacement

TIE DOWN
SAFETY

www.tiedown.com
404-344-0000
Made in the USA

**Window / Door Jamb
Fall Arrest Anchor**
Model #65078
Material: Steel
Min. Break Strength: 5,000 lbs.
Max. Capacity 310 lbs.
Compliance: OSHA 1926.502

⚠ WARNING ⚠

WARNING: User must read and follow instructions supplied with this product at the time of shipment. Failure to do so may result in serious injury or death. Avoid contact with sharp edges and abrasive surfaces. Make only compatible connections. See instructions for restrictions on use with components, subsystems, or systems which this product is designed to be used. See instructions for inspection procedures. Take action to avoid thermal, electrical and chemical hazards.

SAFETY LINE CONNECTION

90 Degrees Off Vertical Plane

30 Degrees Off Horizontal Plane

#15839

DO NOT REMOVE THIS LABEL

TIE DOWN
SAFETY

www.tiedown.com
404-344-0000
Made in the USA

⚠ WARNING ⚠

WARNING: User must read and follow instructions supplied with this product at the time of shipment. Failure to do so may result in serious injury or death. Avoid contact with sharp edges and abrasive surfaces. Make only compatible connections. See instructions for restrictions on use with components, subsystems, or systems which this product is designed to be used. See instructions for inspection procedures. Take action to avoid thermal, electrical and chemical hazards.

User must inspect prior to each use. Competent Person must complete formal inspection every 6 months. Competent Person to inspect and initial.

Date of First Use: _____ Product life time is unlimited as long as it passes pre-use and Competent Person inspections.

Year	J	F	M	A	M	J	J	A	S	O	N	D

#15838

DO NOT REMOVE THIS LABEL

DECLARATION OF CONFORMITY

Declaration Date: 06.15.2020
 Internal Reference Document: ITR-65078_R0
 Rev. 0

DECLARATION NO.	ETR-65078_R0
PART NUMBER:	65078
PART DESCRIPTION:	Door/Window Fall Arrest Anchor
TEST SPECIFICATIONS:	OSHA 1910 & OSHA 1926 <ul style="list-style-type: none"> Static pull test to minimum 5000 lbs.
ADDITIONAL INFORMATION REGARDING THIS DOCUMENT OR STANDARD(S) EVALUATED:	<ul style="list-style-type: none"> Test sample is mounted such that it is at the max opening position. Test sample is mounted to replicate installation in a door or window frame opening.

TIE DOWN ENGINEERING DECLARES THAT THE PRODUCT(S) LISTED ABOVE IS IN CONFORMITY WITH THE REQUIREMENTS OF THE FOLLOWING PERFORMANCE STANDARDS.

STANDARD(S):	<ul style="list-style-type: none"> OSHA 1926 Fall Protection Criteria OSHA 1910.140(C)
---------------------	----------------------------------------------------------------------------------------------------------------

AUTHORIZED BY:

NAME	TITLE	DATE
WILSON HA	ENGINEER	2020-15-06
TRAVIS TURNER	ENGINEERING MANAGER	2020-15-06

This Certificate is a guarantee that the above standard(s) was met by the requirements of such standard. Testing was performed under normal operation mode. The results of testing apply only to the particular sample tested and to the specific test carried out. This Certificate is only issued for products which have passed the testing requirements of listed standard(s).

Tie Down Engineering, Inc.
 605 Stonehill Drive, SW
 Atlanta, GA 30336

404-344-0000
 contact@tiedown.com
 www.tiedown.com

Tie Down Engineering, Inc.
 605 Stonehill Drive, SW
 Atlanta, GA 30336

404-344-0000
 contact@tiedown.com
 www.tiedown.com

Test Report	
Test Operator(s):	Wilson Ha, Travis Turner
Test Date:	6/15/2020
Part Number:	65078
Part Revision:	0
Internal Test Report:	ITR-65078_R0
Third Party (if applicable):	
Test Summary	
Test Specification	Test Criteria
OSHA 1910.140(C)	1910.140(c)(12) <ul style="list-style-type: none"> Anchorage used to attach to personal fall protection equipment must be independent of any anchorage used to suspend employees or platforms on which employees work. Anchorages used to attach to personal fall protection equipment on mobile work platforms on powered industrial trucks must be attached to an overhead member of the platform, at a point located above and near the center of the platform. 1910.140(c)(13) <ul style="list-style-type: none"> Anchorage, except window cleaners' belt anchors covered by paragraph (e) of this section, must be: <ul style="list-style-type: none"> Capable of supporting at least 5,000 pounds (22.2 kN) for each employee attached;
	PASS

Conclusion:

The device was able to withstand a 5000 lb. tensile load test per the OSHA standard. This device can be used as an anchorage for **1 worker in fall arrest**.