

BIGFOOT FALL PROTECTION

Part ID: 60060US

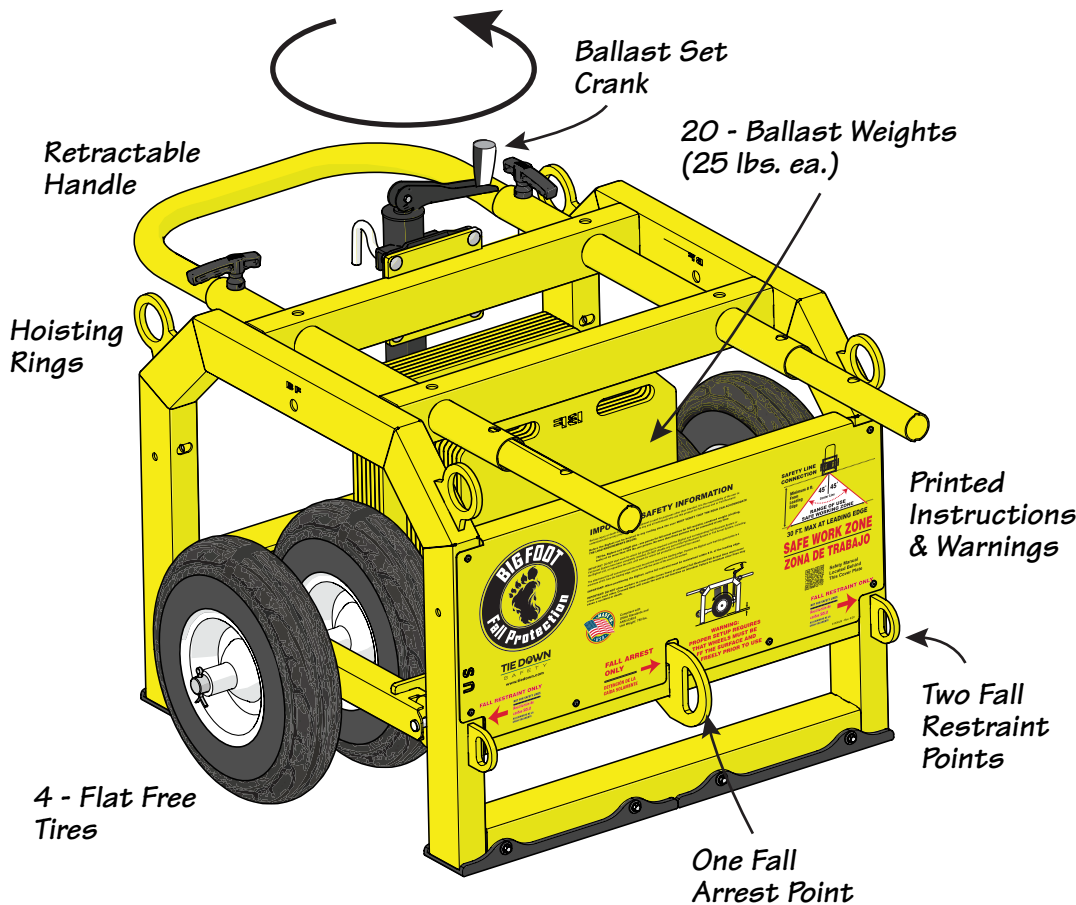


New in the Tie Down line of mobile fall arrest systems. The BIGFOOT allows those working on concrete to be tied off safely yet also providing a great deal of mobility.

- Good for one worker in arrest and two in restraint (USA)
- Non penetrating design
- Jack feature makes mobility very easy
- Includes rigging rings for lifting
- Anti-slip design feature
- Premium flat free tires
- Good for concrete, TPO, and EPDM roof material



Total Weight: 750 lbs.



On Line Instructions

**MADE
★ IN THE ★
USA**

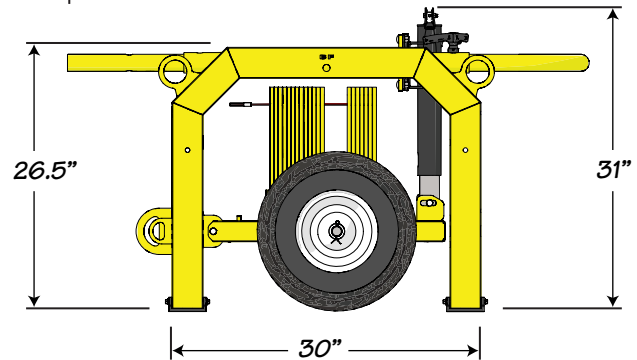
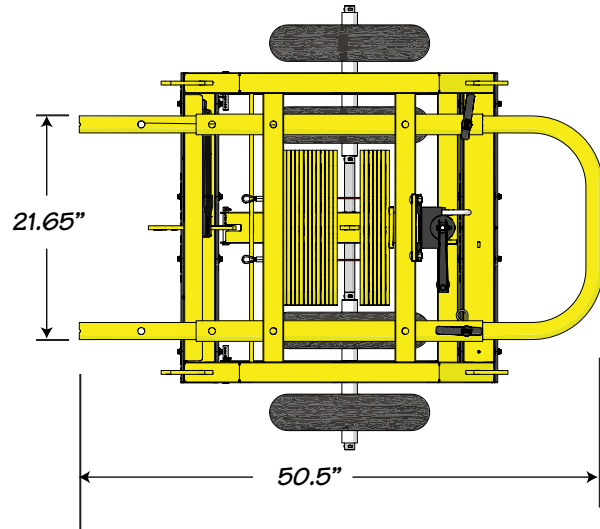
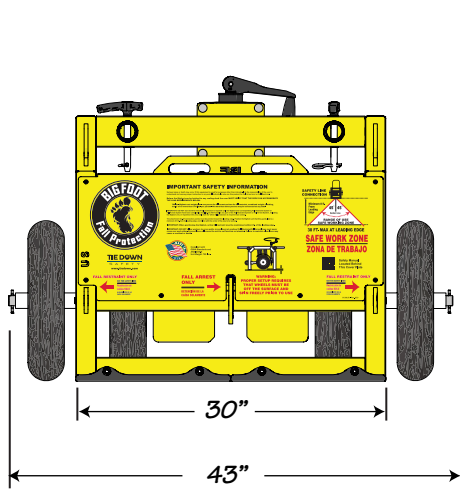


See reverse side for additional specifications

E1776 Rev. 7/1/20

BIGFOOT FALL PROTECTION

Part ID: 60060US



Bigfoot Information:

Total Weight: 750 lbs.

Weight without Ballasts: 250 lbs.

Ballasts Weights:

(20) 15" x 18" x .375" @ 25 lbs. each

Tires: (4) 6" x 15.5" with Axle Hub

Tire Size: 4.80/4.00-8"

