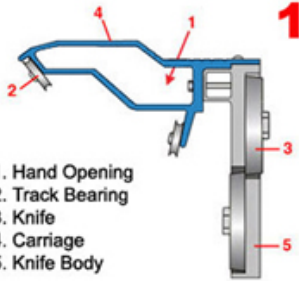
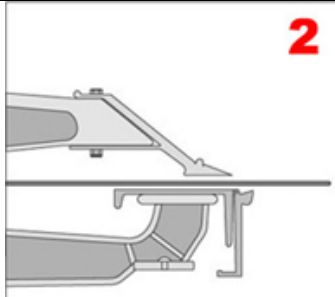
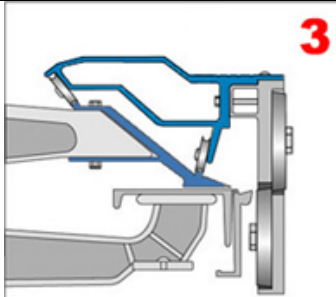
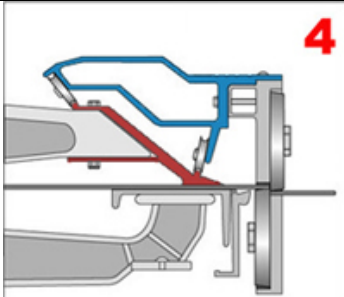


Instructions

 <p>1. Hand Opening 2. Track Bearing 3. Knife 4. Carriage 5. Knife Body</p>			
<p>This tool is designed to require very low or little maintenance</p>	<p>Place material into brake* and align desired cut 1 1/2 inches from stainless steel edge. Clamp in place to prevent shifting while cutting.</p>	<p>Facing the front of the brake, place your TrimCutter to the right end of the brake and engage the track bearings to the guide tracks as shown above</p>	<p>In one complete steady motion, extend your TrimCutter along guide tracks until entire piece is severed from material. Remove tool from brake.</p>

TrimCutter™ will not work on Trim-A-Brake I™ & II™ or J Brakes™. Ask for details before purchase.