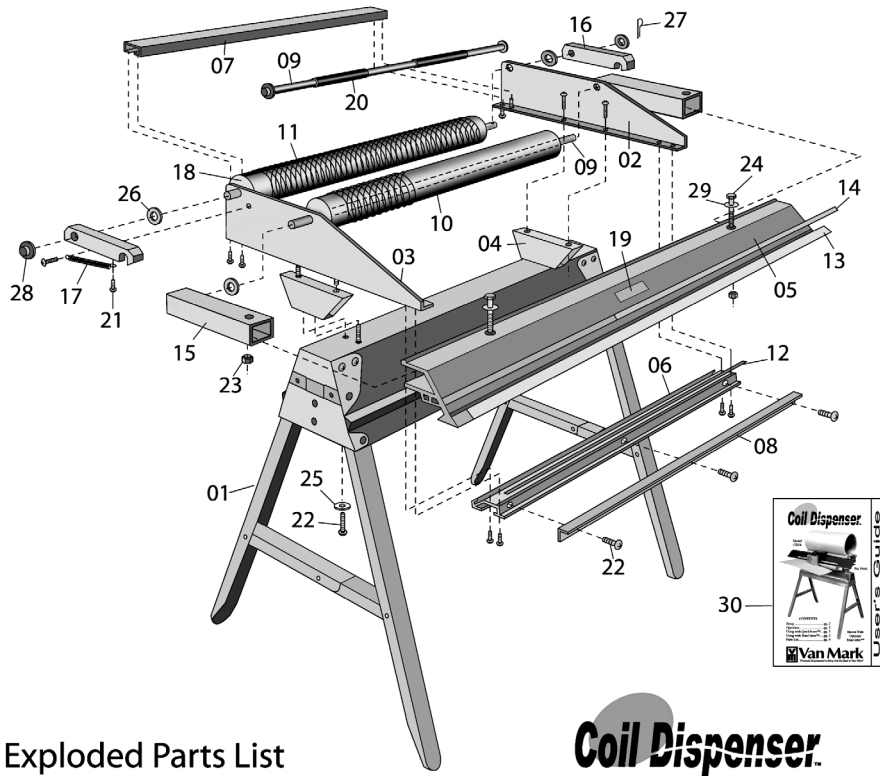


Coil Dispenser

Effective 05-01-17



Exploded Parts List

Coil Dispenser

Ref	Description	Part No	Qty Req	Ref	Description	Part No	Qty Req
01	Folding Base	5405	1	16	Roller Arm	6543	2
02	Right Frame	6500	1	17	Spring	6544	2
03	Left Frame	6501	1	18	Bearing	4604	4
04	Mount. Block	6547	2	19	Nameplate	6552	1
05	Score Guide	6555	1	20	Foam Grip	4014	2
06	Scoring Bed	6506	1	21	Scrw 10-24x1/2	2005	4
07	Rear Rail	6509	1	22	Scrw 1/4-20x5/8	2033	23
08	Angle Support	6553	1	23	Nylok Hex Nut	2311	2
09	Axle	6518	3	24	Scrw 5/16-24x2 1/4	2057	2
10	Roller	6521	2	25	Wash 1/4 in. Flat	2510	4
11	Roller Cover	6524	2	26	Wash 1/2 in. Flat	2509	5
12	Vinyl Strip	6527	2	27	Cotter Pin	2700	1
13	Stainless Edge	6556	1	28	Palnut 1/2	2708	3
14	Tape Rule	6533	1	29	5/16 Flat Washer	2505	2
15	Pivot Arm	6551	2	30	User Guide	F545	1

24145 Industrial Park Dr., Farmington Hills, MI 48335

Toll Free No. 1-800-Van Mark
Phone No. 1-248-478-1200

Toll Free Fax 1-888-Van Mark
Area Fax No. 1-248-478-1226

Web site: www.van-mark.com E-Mail sales@van-mark.com



Model CD24
Shown
With Optional
TrimCutter™

CONTENTS

Setup..... pg. 2
 Operation..... pg. 2
 Using with QuickScore™ pg. 3
 Using with TrimCutter™ pg. 3
 Parts List..... pg. 4

Products and specifications subject to change at any time.



User's Guide