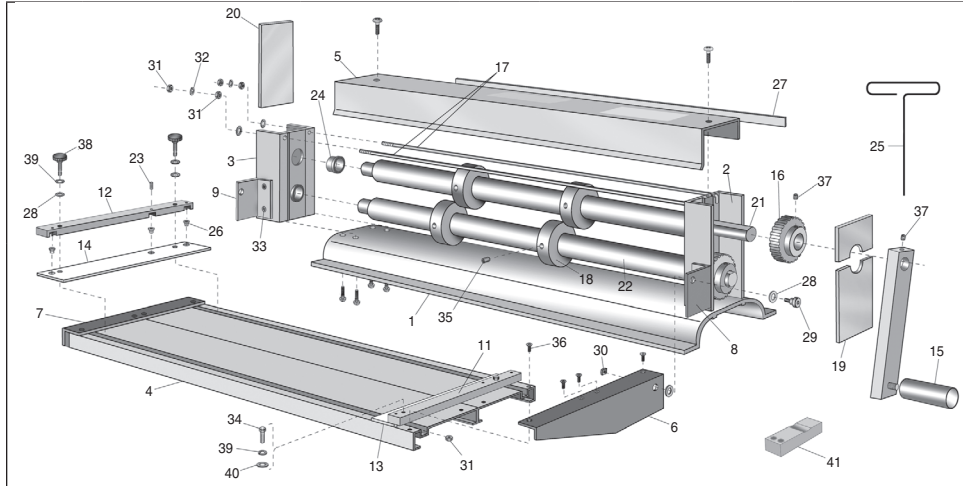
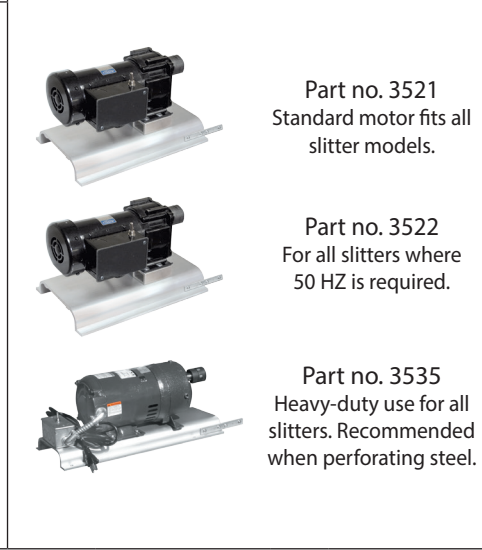
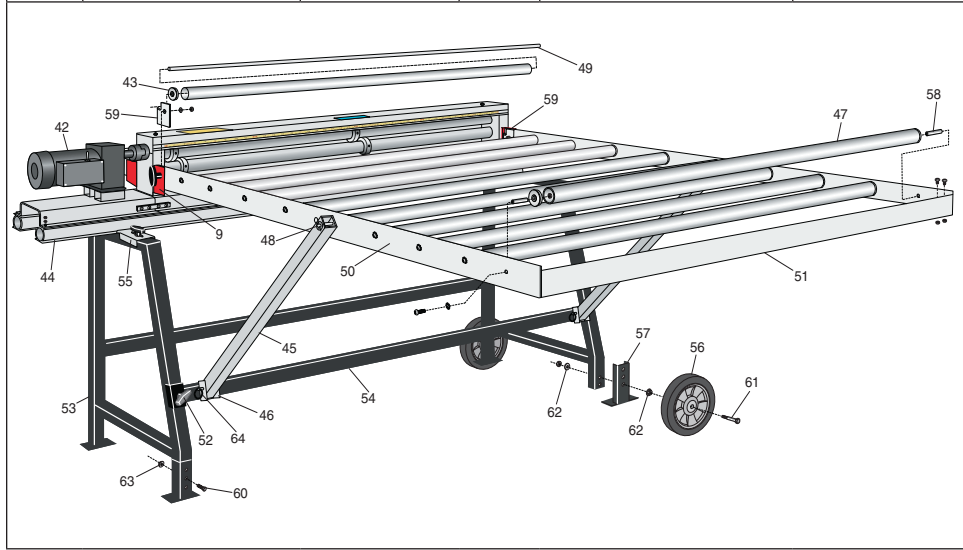


SCI48  
SCI48 HD  
SCI48 220V

Call Toll-Free: 1-800 Van Mark Email: sales@van-mark.com



Ref	Description	Part #	Ref	Description	Part #	Ref	Description	Part #
1	Base	5004	20	End Cap LT	5037	45	Table Support	5102
2	Bearing Blk RT	5005	21	Top Shaft	5050	46	Table Support Bkt	5103
3	Bearing Blk LT	5006	22	Bottom Shaft	5051	47	Roller	5104
4	Shelf	5010	23	Roll Pins (6)	3517	48	Axle Support	5105
5	Top Cover	5014	24	Bearing Oilite (4)	3516	49	Axle	5106
6	End Brk RT	5015	25	T Wrench	5054	50	Shelf Side	5107
7	End Brk LT	5016	26	Roller Guides (6)	3515	51	Shelf Front	5108
8	Pivot Brk RT	5017	27	Tape Rule	5059	52	T Knob	2036
9	Pivot Brk LT	5018	35	Gib Screws (4)	3631	53	End Assembly	5400
11	Guide Bar RT	5023	37	Soc Set Screw	2014	54	Cross Member	5401
12	Guide Bar LT	5024	38	Lock Knob Screw	2015	55	Latch Plate	5403
13/14	Wear Strips	3518	41	Booster Block	3578	56	Wheel	5404
15	Crank Handle	3514	42	Motor 110V	3521	57	Leg Support	5406
16	Spur Gear	5028	42	Motor 110 HD	3522	58	Roller Post	5125
17	Tie Rod	5032	42	Motor 220V	3535	59	Float Axle Support	5126
18	Knife	5035	43	Bearing Roller Tube	4604	64	Fast Pin	2715
19	End Cap RT	5036	44	Mount Rails	5101			



VAN MARK PRODUCTS CORPORATION

24145 Industrial Park Drive, Farmington Hills, MI 48335-2864 Michigan 1-248-478-1200  
 Call Free 1-800-VAN-MARK (1-800-826-6275) Fax Free! 1-888-VAN-MARK (1-888-826-6275)  
 Web Site: www.van-mark.com E-mail: sales@van-mark.com

Industrial Slitter Combo™

Orders must include model and serial no. in order to guarantee correct parts are shipped.