

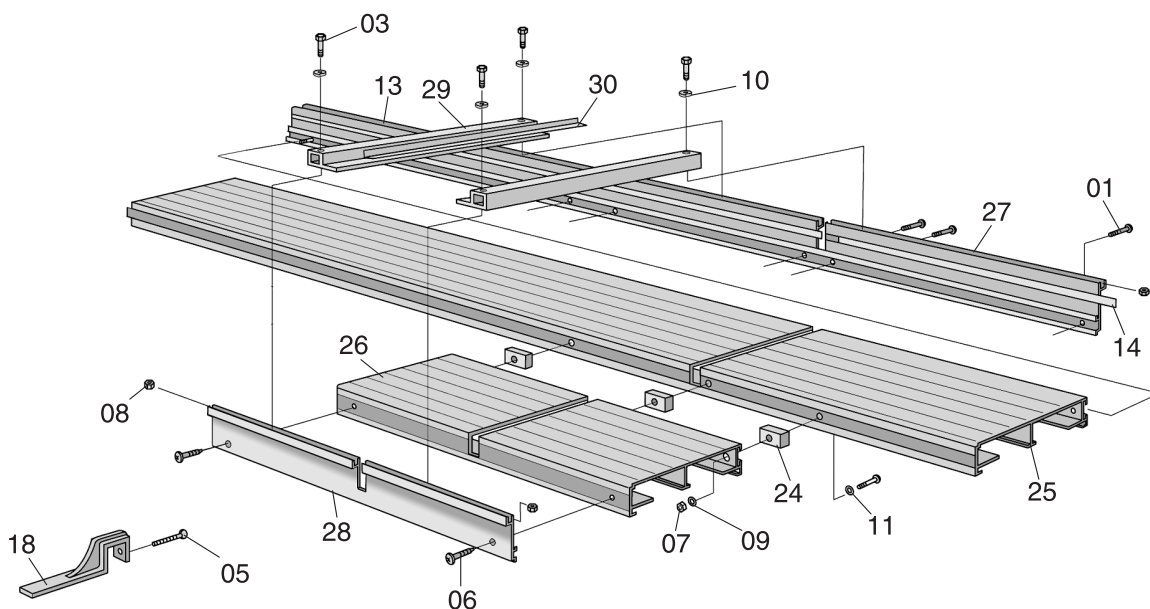
For Quick “Same Day Shipment” Order Early

Order Toll-Free 24 Hrs Call Free 1-800 Van Mark Fax Free 1-888 Van Mark

Ref #	Description	P/N
01	1/4-20x1" Phil Pan Hd	2001
03	5/16-18x11/4" HD Cap	2011
05	5/16-18x2 Thumbscrew	2025
06	1/4-20x1 1/4 RDHD	2030
07	1/4-20 Hex Nut	2300
08	5/16-18 Hex Nut	2304
09	1/4 Washer, Lock	2500
10	5/16 Washer, Lock	2504
11	1/4 Washer, Flat	2510
13	Tape Rule, Left	7011

Ref #	Description	P/N
14	Tape Rule, Right	7012
18	Buttstop Casting	7024
24	Splice Block	7038
25	Main Top	7001
26	Apron Top	7040
27	Main Fence	7003
28	Apron Fence	7042
29	Saw Track	7043
30	Vinyl Strip	7044

Steel Folding Legs
Part No. 3020
Fits SureCut SCT90



VAN MARK PRODUCTS CORPORATION

24145 Industrial Park Drive, Farmington Hills, MI 48335-2864 Michigan 1-248-478-1200

Call Free 1-800-VAN-MARK (1-800-826-6275) Fax Free! 1-888-VAN-MARK (1-888-826-6275)

Web Site: <http://www.van-mark.com>

E-mail: sales@van-mark.com

Note: Price subject to change without notice. Call for current prices before quoting.

SureCut 45™

Orders must include model and serial no in order to guarantee correct parts are shipped.

\$25.00 minimum order. F.O.B. Farmington Hills, MI.

Payable in U.S. funds only.