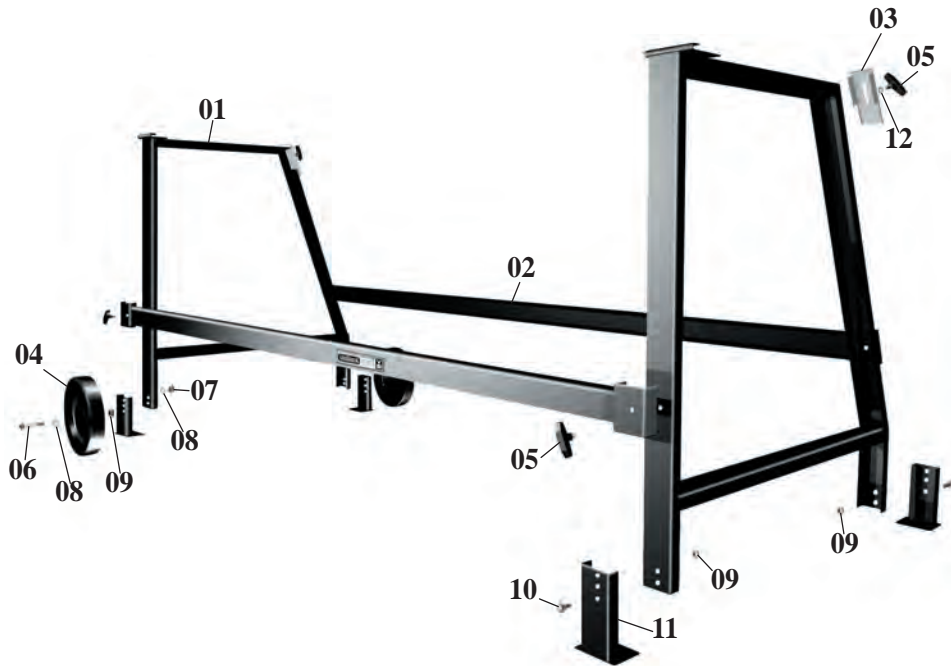


Parts List



Ref	Description	Part No	Qty. Required
01	End Assembly	5400	2 ea
02	Cross Member	5401	2 ea
03	Latch Plate	5403	2 ea
04	Wheel	5404	2 ea
05	T Knob	2036	6 ea
06	Axle Bolt	2051	2 ea
07	Nylok Hex Nut	2314	2 ea
08	Flat Washer	2509	4 ea
09	Flange Nut	2316	6 ea
10	Hex Screw	2049	4 ea
11	Leg Support	5406	4 ea
12	3/8 Flat Washer	2506	2 ea

UniStand™
ADJUSTABLE

Effective 05-01-17



Model No. USA1

Patent No. 6,854,314

User's Guide

24145 Industrial Park Dr., Farmington Hills, MI 48335

Toll Free No. 1-800-Van Mark
Phone No. 1-248-478-1200

Toll Free Fax 1-888-Van Mark
Area Fax No. 1-248-478-1226

Web site: www.van-mark.com E-Mail sales@van-mark.com



Van Mark
The Mark of Quality

UniStand™

ADJUSTABLE

