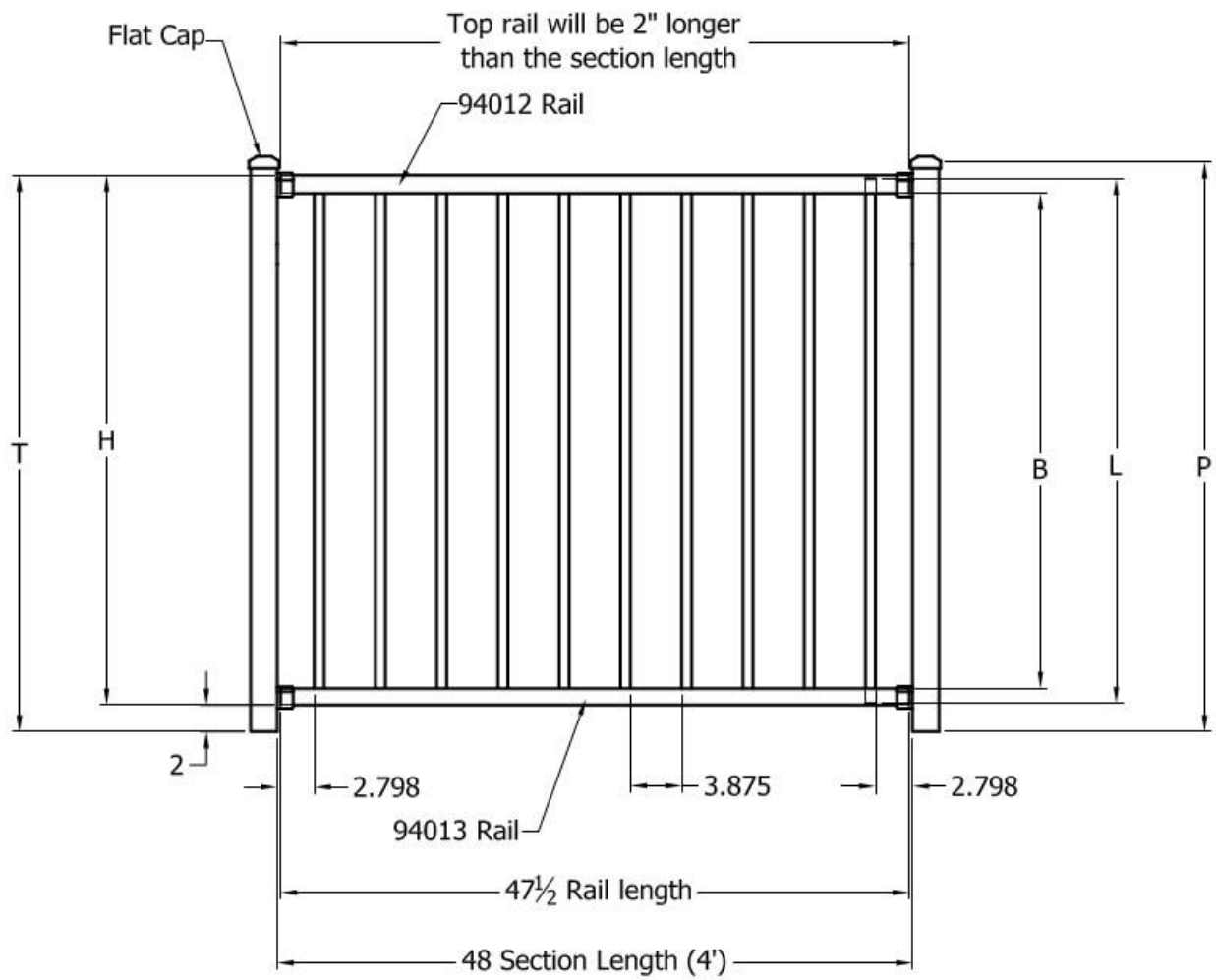


REV.		LOC.		REVISION		PART NUMBER:		DATE	
A				RELEASE PENDING APPROVAL					



Railing Call Size	T	H	B	L	P
36" Railing	36	34	31 ³ / ₈	33 1/2	37
42" Railing	42	40	37 ³ / ₈	39 1/2	43

FINISH:

DSI Digger Specialties, Inc.
3446 US 6 EAST
Bremen, IN 46506

SHEET SIZE= C
SCALE = none
STANDARD TOLERANCE:
.00 ±.01 FRACTIONS:
.000 ±.005 ±.1" ANG. ±.5°

DRAWN BY: fsb
DATE DRAWN: 09-29-2014
LOC ACAD: C:\Users\fsb\OneDrive\Work\Projects\C10 Tuscany\Sections
DRAFT: 20140929-2F
LOC PDF:

PART NUMBER:
STYLE: C10 Tuscany
FILE NAME: C-10 4 foot
SHEET of REV. A

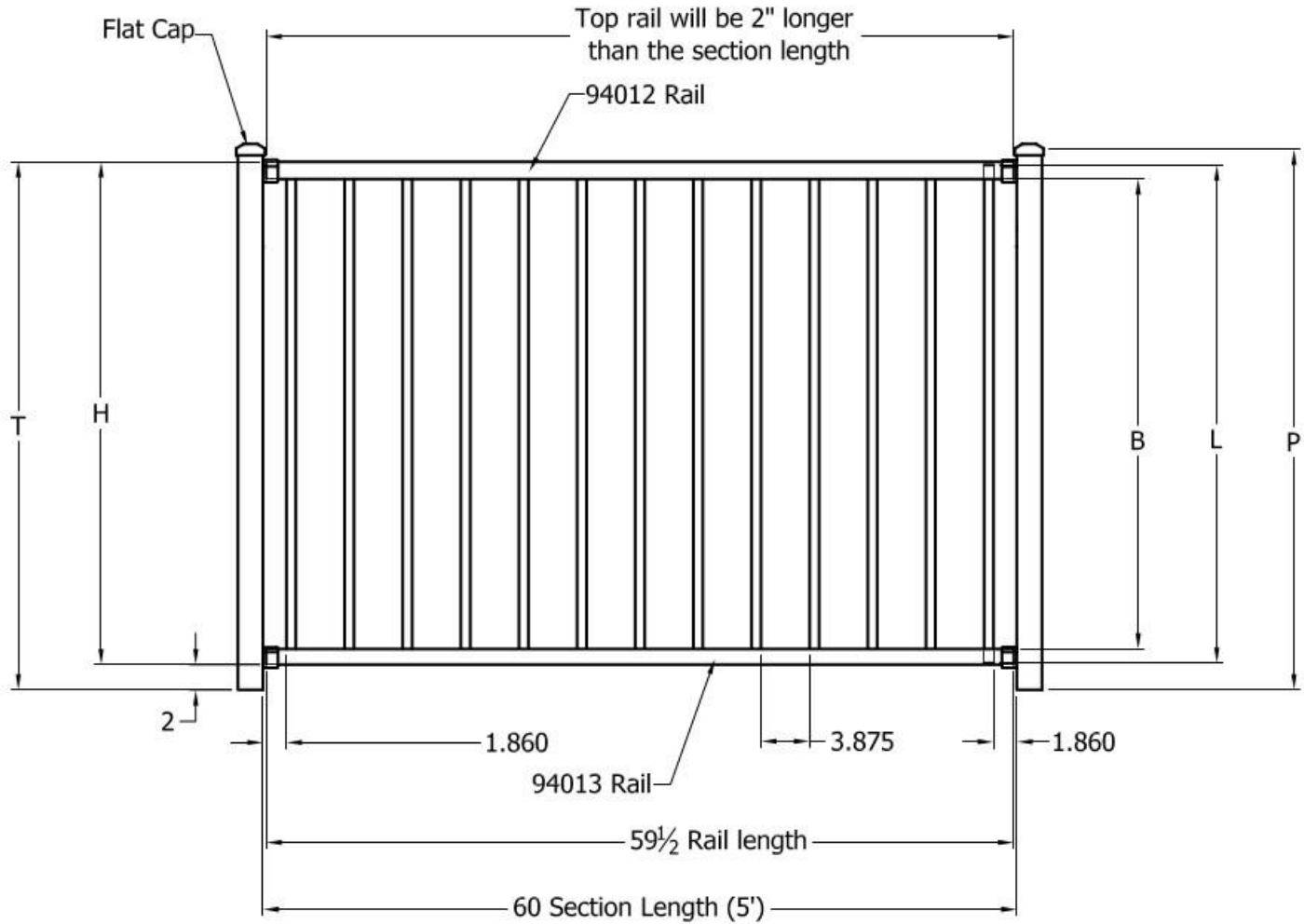
4

3

2

1

REV.		LOC.	REVISION	DATE
A			RELEASE PENDING APPROVAL	



Railing Call Size	T	H	B	L	P
36" Railing	36	34	31 ³ / ₈	33 1/2	37
42" Railing	42	40	37 ³ / ₈	39 1/2	43

FINISH:

DSI Digger Specialties, Inc. 3446 US 6 EAST Bremen, IN 46506

SHEET SIZE= C	DRAWN BY: fsb	PART NUMBER:
SCALE = none	DATE DRAWN: 09-30-2014	
STANDARD TOLERANCE: .00 ±.01 FRACTIONS: .000 ±.005 ANG. ±.5° ±1"	LOC. ACAD: C:\alum\westbury\c10 Tuscany\Sections	STYLE: C10 Tuscany
DRAFT: 20140930-2F	LOC. PDF:	FILE NAME: C-10 5 foot
		SHEET REV. of A

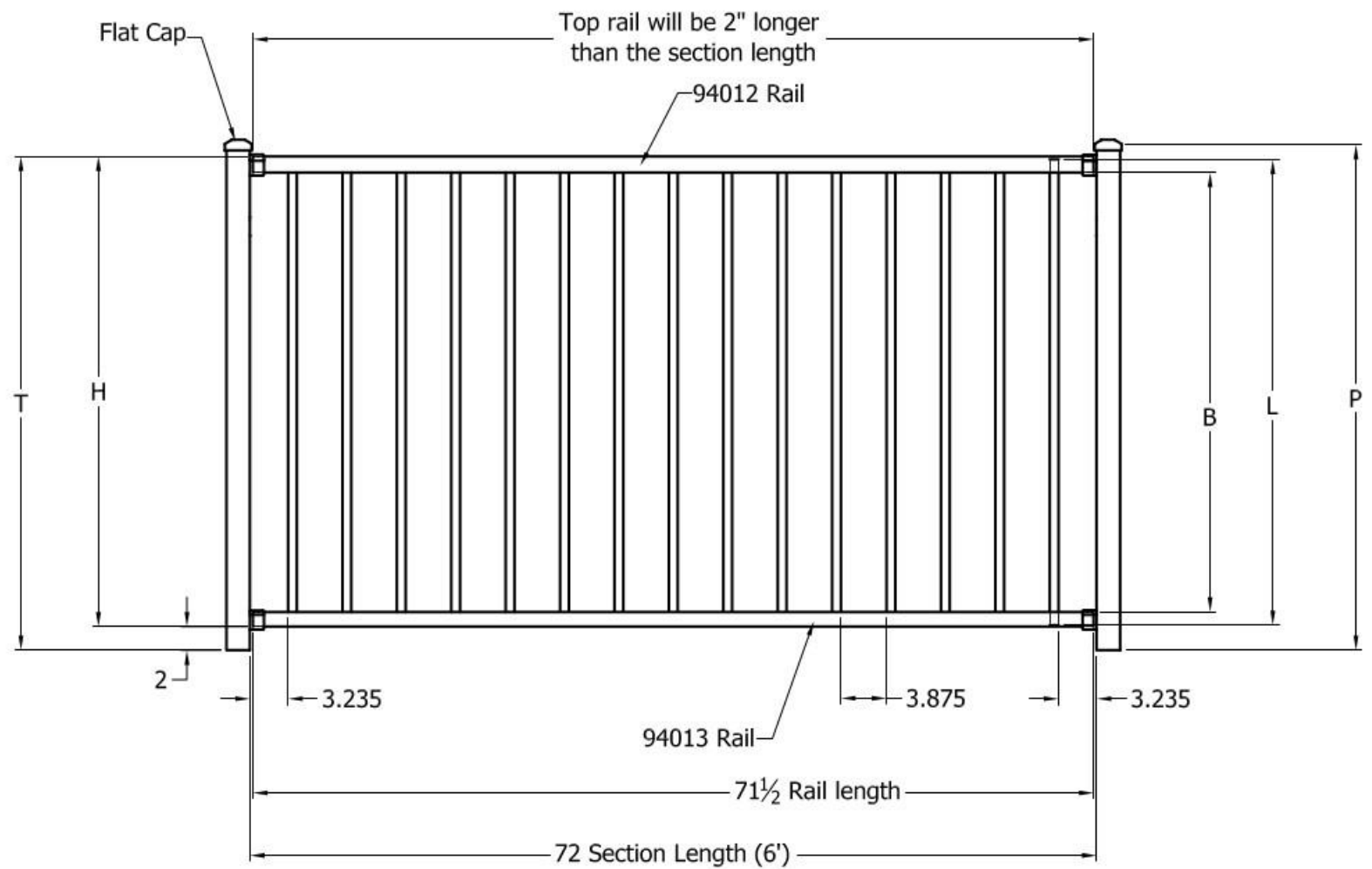
4

3

2

1

REV.		LOC.		REVISION		PART NUMBER:		DATE	
A				RELEASE PENDING APPROVAL					



Railing Call Size	T	H	B	L	P
36" Railing	36	34	31 ³ / ₈	33 ¹ / ₂	37
42" Railing	42	40	37 ³ / ₈	39 ¹ / ₂	43

FINISH:

DSI
Digger
Specialties,
Inc.

3446 US 6 EAST
Bremen, IN 46506

SHEET SIZE= C
SCALE = none
STANDARD TOLERANCE:
.00 ±.01 FRACTIONS:
.000 ±.005 ±.1"
ANG. ±.5°

DRAWN BY: fsb
DATE DRAWN:
09-30-2014
LOC. ACAD:
C:\Users\Westbury\CS0 Tuscany\Sections

DRAFT:
20140930-3F
LOC. PDF:

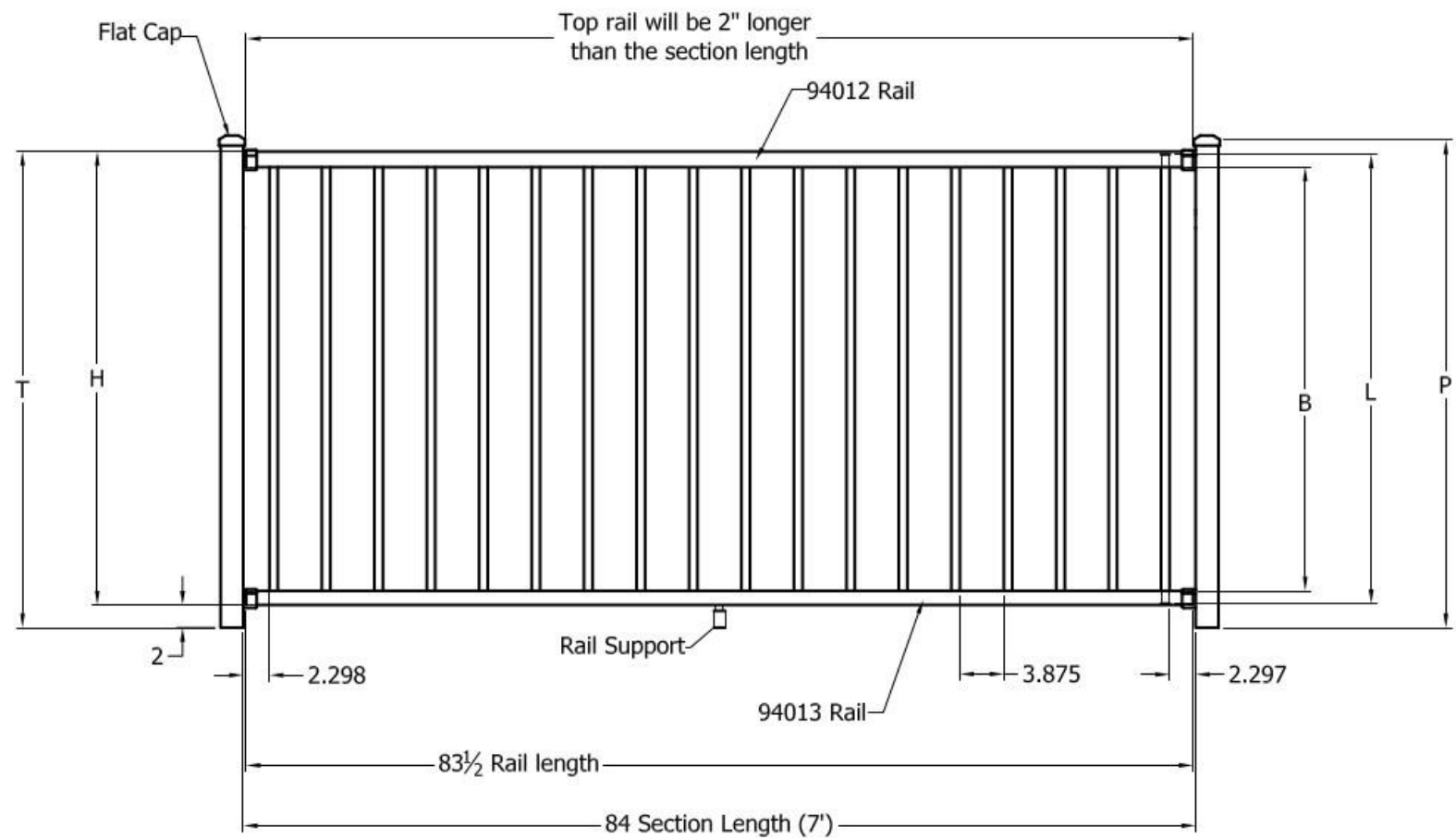
PART NUMBER:

STYLE:
C10 Tuscany

FILE NAME:
C-10 6 foot

SHEET REV.
of A

REV.		LOC.	REVISION	DATE
A			RELEASE PENDING APPROVAL	



Railing Call Size	T	H	B	L	P
36" Railing	36	34	31 ³ / ₈	33 1/2	37
42" Railing	42	40	37 ³ / ₈	39 1/2	43

SHEET SIZE= C	DRAWN BY: fsb	PART NUMBER:
SCALE = none	DATE DRAWN: 09-30-2014	
STANDARD TOLERANCE: .00 ±.01 FRACTIONS: .000 ±.005 ±1/8"	LOC. ACAD: C:\alum\weston\130 Tuscany\Sections	STYLE: C10 Tuscany
FINISH:	DRAFT: 20140930-5F	LOC. PDF:
		FILE NAME: C-10 7 foot
		SHEET REV. of A

DSI Digger Specialties, Inc. 3446 US 6 EAST Bremen, IN 46506

Flat Cap

Top rail will be 2" longer than the section length

94012 Rail

Rail Support

94013 Rail

83 1/2 Rail length

84 Section Length (7')

2

2.298

3.875

2.297

T

H

B

L

P

D

C

B

A

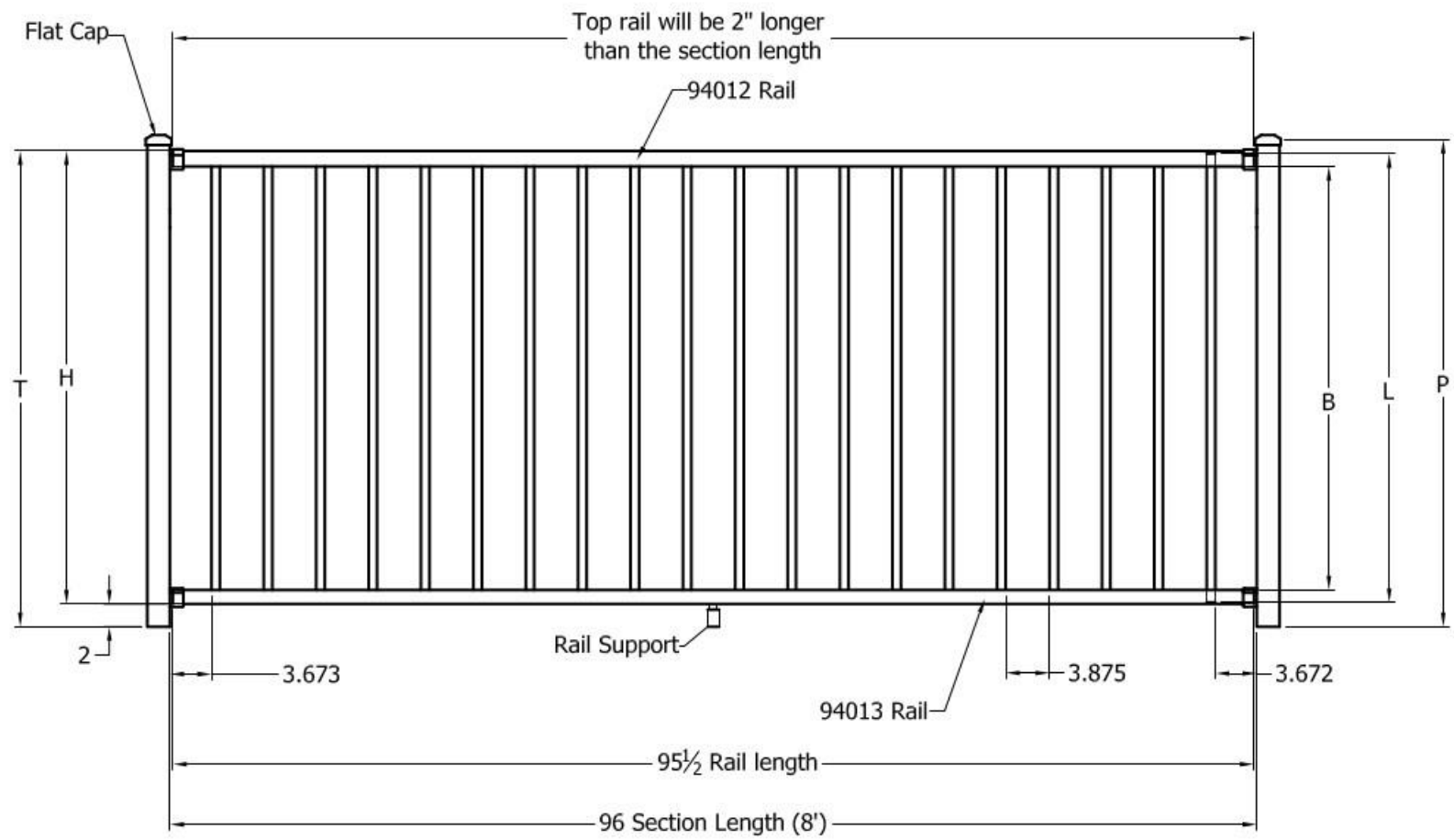
4

3

2

1

REV.		LOC.		REVISION		PART NUMBER:		DATE	
A				RELEASE PENDING APPROVAL					



Railing Call Size	T	H	B	L	P
36" Railing	36	34	31 3/8	33 1/2	37
42" Railing	42	40	37 3/8	39 1/2	43

FINISH:	SHEET SIZE= C	DRAWN BY: fsb	PART NUMBER:	
	SCALE = none	DATE DRAWN: 09-30-2014	STYLE: C10 Tuscany	
DSI Digger Specialties, Inc. 3446 US 6 EAST Bremen, IN 46506	STANDARD TOLERANCE: .00 ±.01 FRACTIONS: .000 ±.005 ANG. ±.5° ±1/8"	LOC ACAD: C:\Alun\Westbury\C30 Tuscany\Sections	FILE NAME: C-10 8 foot	SHEET REV. of A
	DRAFT: 20140930-6F	LOC PDF:		