

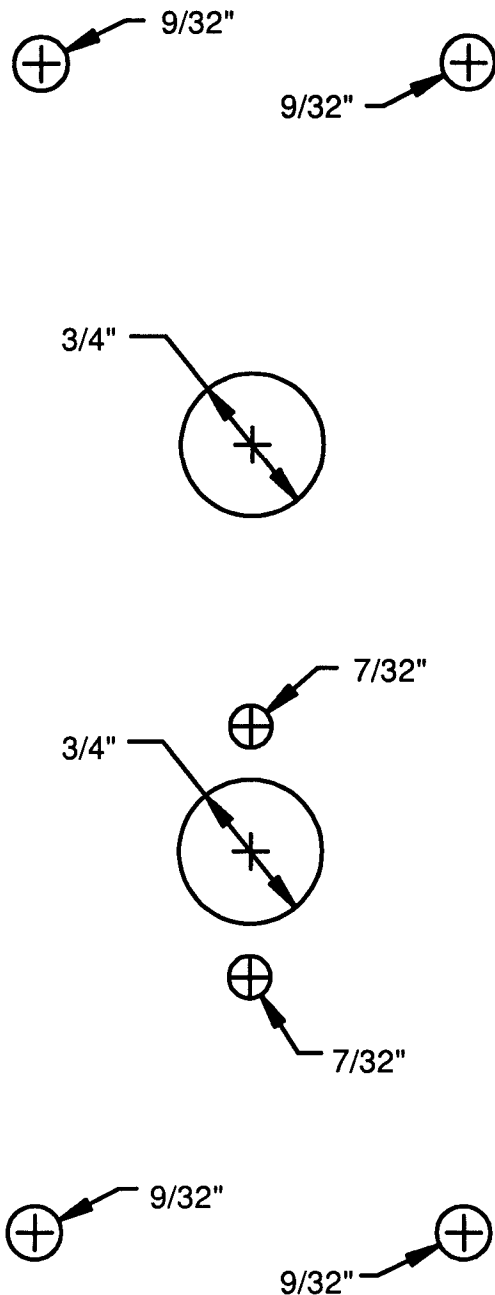
HOLE TEMPLATE FOR BILCO CYLINDER LOCK



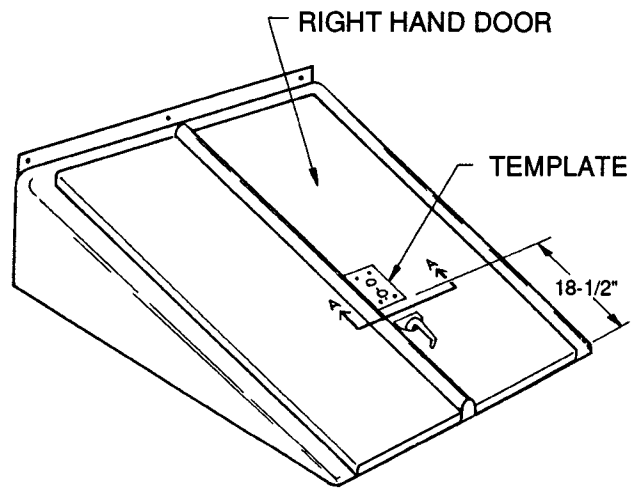
INSTRUCTIONS

Place template on top of right hand door (the one with the handle) with edge of template against bead of door. Locate bottom of template 18-1/2" from bottom of door as indicated on template and detail below. Carefully centerpunch all (8) holes. (*Note: Accuracy is essential for ease of installation.*) Remove template and drill holes. File rough edges of holes after drilling.

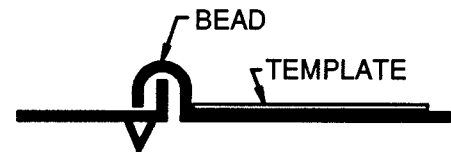
PLACE THIS EDGE AGAINST BEAD OF DOOR



PLACE THIS EDGE 18-1/2" FROM BOTTOM OF DOOR

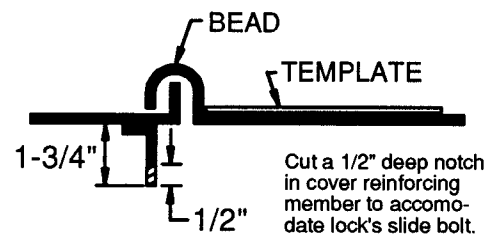


**BILCO DOORS
MANUFACTURED SINCE 1964**



SECTION A-A

**BILCO DOORS
MANUFACTURED BEFORE 1964**



SECTION A-A

INSTRUCTION SHEET AND PARTS LIST FOR BILCO CYLINDER LOCK



TOOLS REQUIRED

- 3/8" or 1/2" electric drill
- center punch
- 7/32" diameter drill bit
- 9/32" diameter drill bit
- 3/4" diameter metal hole saw
- slotted screwdriver
- adjustable wrench
- hammer
- file

INSTALLATION

(See drawing on reverse side)

Step 1

Tape hole template on right hand door 18-1/2" from bottom of leaf as shown on template. Center punch all holes. *Note: Accuracy is essential for ease of installation.* Remove template. Drill holes to indicated sizes. File rough edges.

Step 2

Insert lock cylinder through rubber dustcap as shown on drawing. Place cylinder (with dustcap), handle (with gasket) and (2) #10-24 x 7/8" round head machine screws through the topside of the door leaf. Make sure that the dustcap's hinge is at the 12 o'clock position. From the bottomside, install the steel cylinder retainer followed by (2) #10 locknuts for the handle and the 3/4" lockwasher and nut for the cylinder. Tighten nuts.

Step 3

Mount lock assembly on the steel mounting bracket using (4) #10-24 x 1/2" round head machine screws and (4) #10-24 locknuts. Do not tighten screws until step 5.

PARTS LIST

- (4) #10-24 x 1/2" round head machine screws
- (2) #10-24 x 7/8" round head machine screws
- (6) #10-24 locknuts
- (4) 1/4-20 x 3/4" carriage bolts
- (4) 1/4-20 locknuts
- (4) neoprene washers
- mounting bracket
- lock cylinder with nut and (2) keys
- cylinder lockwasher (3/4" I.D.)
- rubber dustcap
- cylinder retainer (1-1/2" x 4" x 14 gauge)
- handle
- handle gasket
- lock assembly
- (2) black plastic shaft caps
- (1) yellow plastic lock release cap
- template
- instruction sheet, parts list and exploded view

Step 4

Install mounting bracket and lock assembly on the underside of cover using (4) 1/4-20 x 3/4" carriage bolts, rubber washers and 1/4-20 locknuts as indicated on drawing. *Note: With the slidebolt in the unlocked position, the turnhandle should be aligned in a horizontal position as viewed from the topside of the basement door.*

Step 5

Tighten carriage bolts and lock mounting screws. Carriage bolts should be tightened enough to slightly compress the neoprene washers.

Step 6

Install yellow and black plastic caps per drawing. Test lock operation with door in open position before locking door closed. For best operation, lubricate as required.

Note: For Bilco Doors manufactured before 1964, a 1/2" deep notch must be cut in the cover reinforcing member to accommodate the slidebolt of the new keyed lock. See SECTION A-A on hole template.

OPERATION

From Outside:

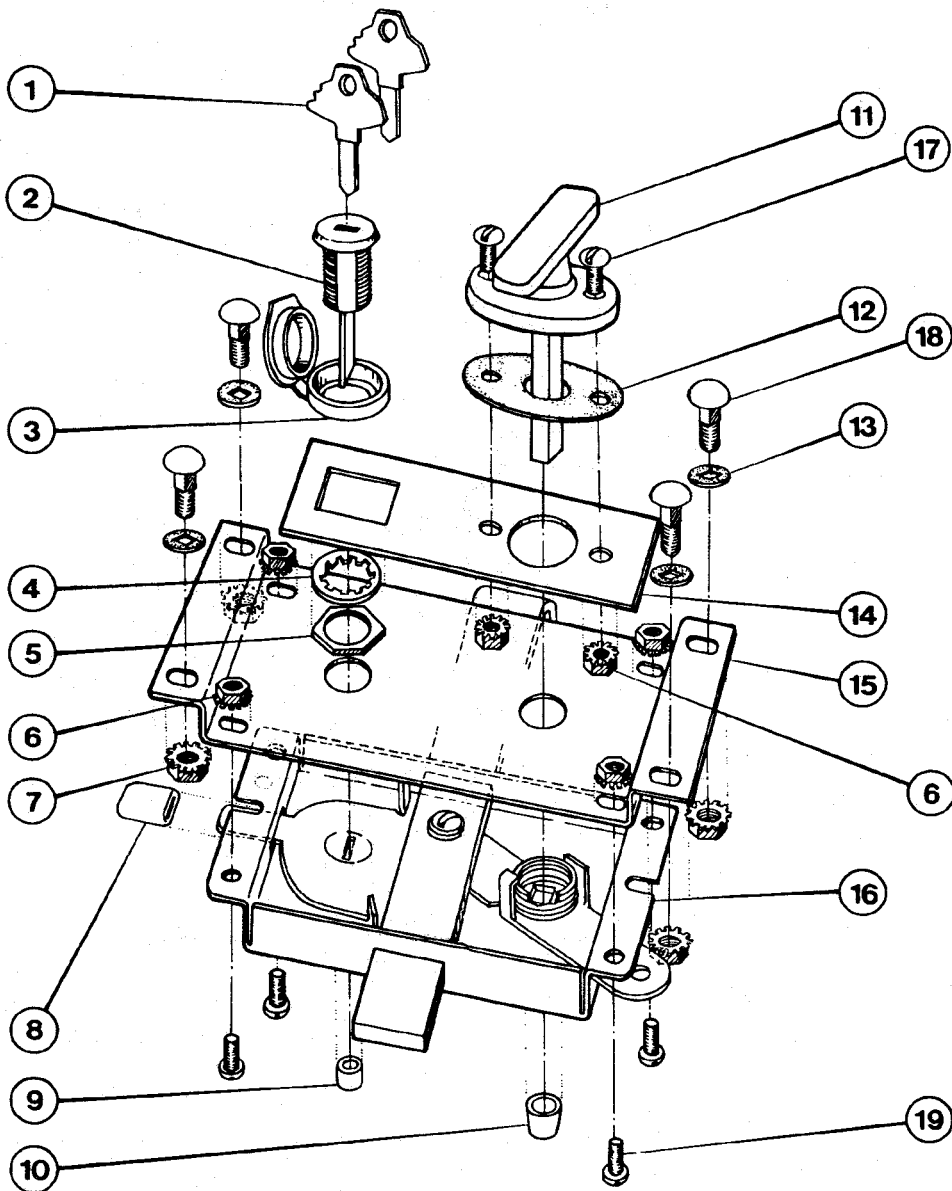
To lock: Turn handle counterclockwise.

To unlock: Open dustcap, insert key, turn key clockwise.

From Inside:

To lock: Push slide bar.

To unlock: Push release tab.



| SYMBOL | PART# | QTY. | DESCRIPTION | SYMBOL | PART# | QTY. | DESCRIPTION |
|--------|---------|------|---------------------|--------|-----------|------|-----------------------------|
| ① | 1ABC223 | 2 | Key | ⑪ | 1ABC225 | 1 | Handle |
| ② | 1ABC223 | 1 | Lock Cylinder | ⑫ | 1ABC220 | 1 | Handle Gasket |
| ③ | 1ABC224 | 1 | Rubber Dustcap | ⑬ | 1SD1981 | 4 | Neoprene Washers |
| ④ | 1ABC244 | 1 | Cylinder Lockwasher | ⑭ | 1ABC230-P | 1 | Cylinder Retainer |
| ⑤ | 1ABC223 | 1 | Cylinder Nut | ⑮ | 1ABC221-P | 1 | Mounting Bracket |
| ⑥ | 1SD1978 | 6 | #10-24 Locknut | ⑯ | 1ABC222 | 1 | Lock Assembly |
| ⑦ | 1SD1980 | 4 | 1/4-20 Locknut | ⑰ | 1SD1976 | 2 | #10-24 x 7/8" Machine Screw |
| ⑧ | 1ABC245 | 1 | Lock Release Cap | ⑱ | 1SD1979 | 4 | 1/4-20 x 3/4" Carriage Bolt |
| ⑨ | 1ABC247 | 1 | Cylinder Shaft Cap | ⑲ | 1SD1975 | 4 | #10-24 x 1/2" Machine Screw |
| ⑩ | 1ABC246 | 1 | Handle Shaft Cap | | | | |

If keys are lost, please contact the Bilco Company for a replacement cylinder with new keys.