

Installing CedarBoards™ Board and Batten Insulated Siding

These instructions describe and illustrate the steps involved in installing CedarBoards™ Board & Batten Insulated Siding. Their purpose is to provide detailed information and how-to tips that will simplify the installation process.

CertainTeed shall not accept any liability or responsibility under its written warranty for failure caused by application that does not meet our minimum requirements for proper installation. Any deviations from these requirements should be approved in writing by CertainTeed Corporation.

PREPARING THE WALL SURFACE

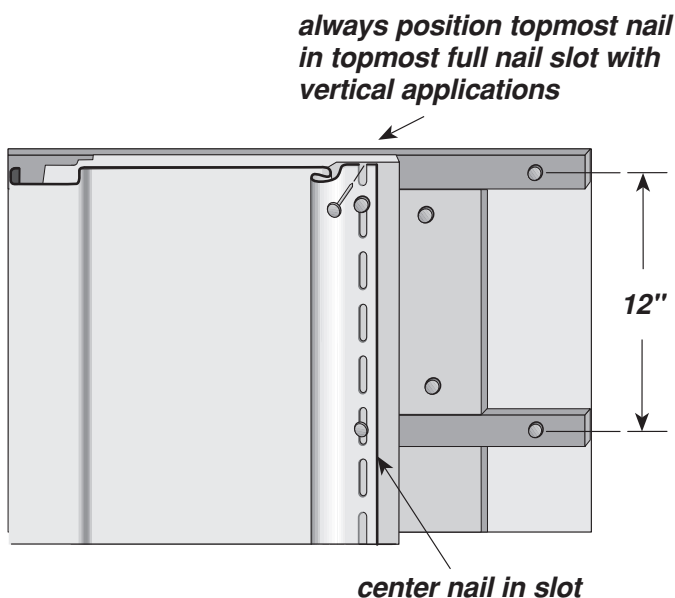
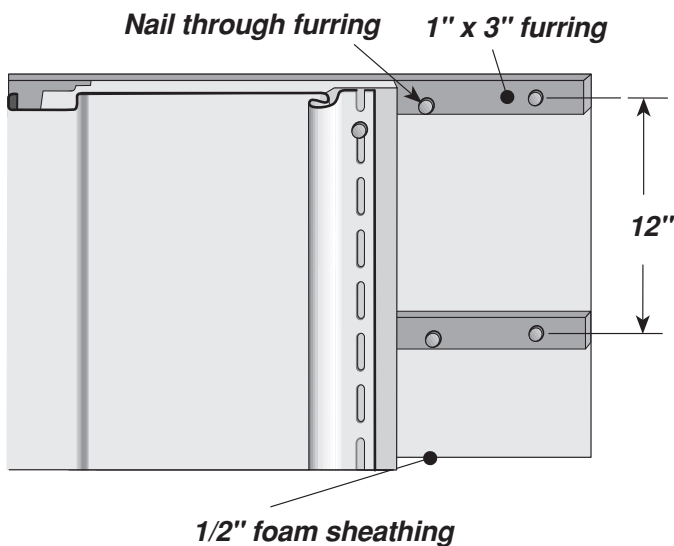
CedarBoards insulated siding can help even out wall surfaces. However, to minimize extremes in the peaks and valleys of uneven walls, you may have to repair the underlayment. Make sure the substrate is smooth, flat, and weathertight. If the surface is significantly uneven, apply 1/4" (minimum) foam sheathing before installing CedarBoards Siding. If the wall is smooth, use standard underlayment practices.

NOTE: Never install vinyl siding over open furring strips or studs. Always check with your local building code official. With vertical siding, however, you may have to complete an extra step to provide solid nailing points along the vertical edge of the siding panel. The need for this added step depends on the type of substrate used and the nature of the construction project.

With new construction or remodeling using plywood or wood composite, there are no additional steps. You can nail into plywood and wood composite substrates at any point as long as you do not exceed 12" on center.

In new construction using rigid foam or fiber sheathing, you must install solid wood nailer strips horizontally to studs before applying sheathing. Use 1" x 3" wood furring positioned 12" on center. For further information regarding applying wood furring over stucco, please refer to pages 21-22 of the CertainTeed *Vinyl and Polymer Siding Installation Guide* (CTS 205).

When remodeling over existing wood siding, you must apply rigid foam or fiber sheathing, shimming if necessary to create a level surface. When remodeling over brick, block, stucco or irregular wall surfaces, apply furring strips horizontally to create a level surface; then apply rigid foam or fiber sheathing. See "Tips for Applying Wood Furring" on pages 21-22 of the *Installation Guide* and "Applying over Stucco" on page 22. When reviewing the illustrations for those sections, remember that furring strips must be applied horizontally.



INSTALLING TRIM

When installing CedarBoards products, use specially designed 1-1/4" accessories at corners, around windows, doors and other openings.

Top and bottom J-channel

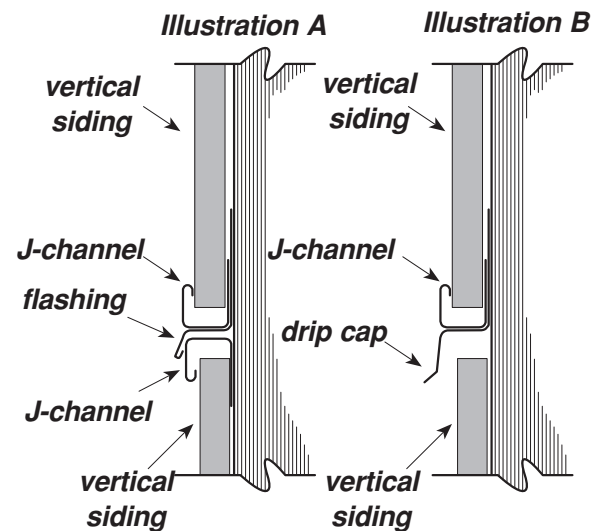
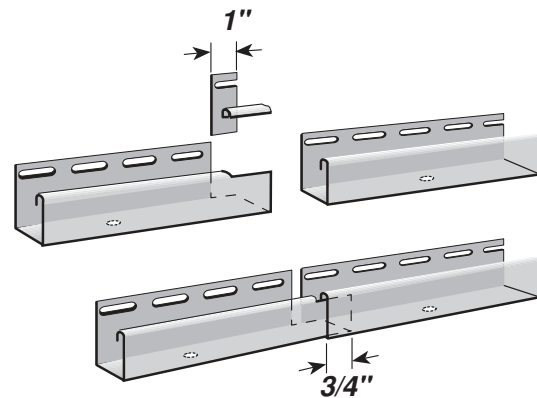
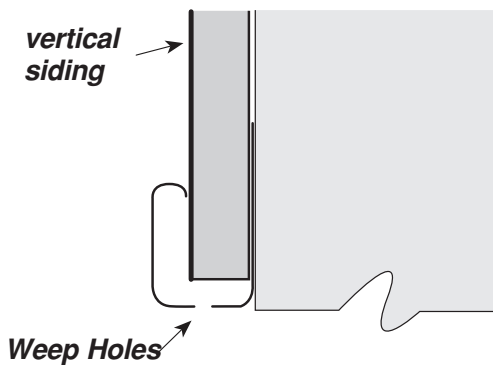
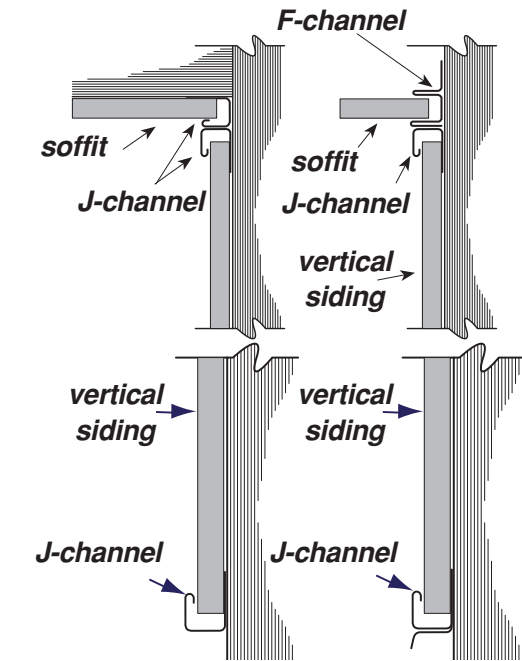
Unlike the preparation for horizontal siding, do not install a starter strip for vertical siding. J-channel is used to frame the top and bottom of the vertical panels.

- Snap a base line 1" above the low part of the house. Apply 1-1/4" J-channel along the top and bottom of the wall to receive the siding panels.
- Install the bottom J-channel, and overlap the J-channels 3/4". To do this, cut out a 1" section of the nailing flange and face return.
- Install inverted J-channel along the top of the wall, under the eave. Leave a 1/4" gap between J-channel and cornerposts. Overlap J-channels 3/4" to allow for expansion.

For water drainage, drill 1/8" diameter weep holes in the base of the J-Channel no more than 24" apart.

Soffit

If you are going to install soffit, you may want to install the receiving channels for the soffit at this point. The illustrations show alternative approaches for installing siding and soffit receiving channels.

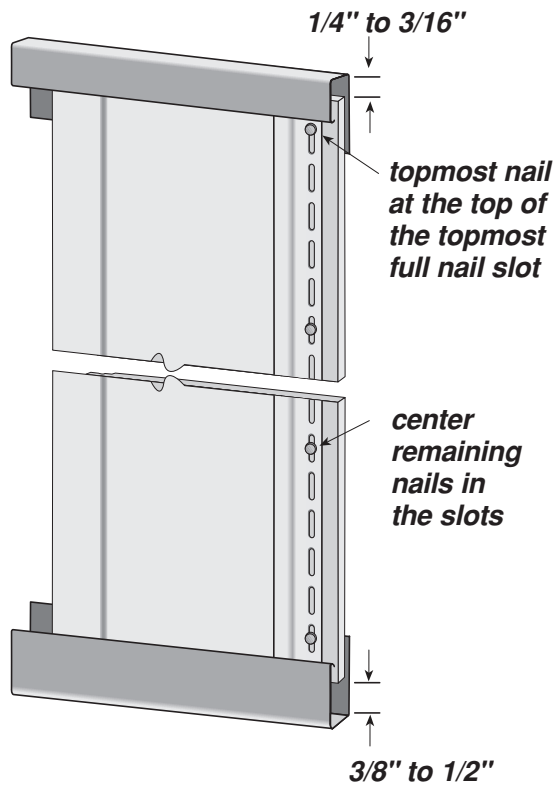


Options for transitions

If a wall requires more than one course of Board & Batten or if you are transitioning to another cladding, you can proceed in one of two ways:

- Option 1. Use two lengths of J-channel, back-to-back, at the joint between the two courses (illustration A).
- Option 2. Use a combination of one length of J-channel and one length of drip cap (illustration B).

INSTALLING THE SIDING PANELS



Plan the panel layout. Correctly installed vertical siding should have a balanced appearance. This means that if you were to draw a vertical line down the center point of a wall, you would have an equal number of panels to the right and left.

If you have to trim panels to fit, the end-most panels should be the same width. To do this, divide the space to be covered by the width of one panel over both ends of the wall. For example, if a wall required 25 full panels plus 10", you will need to rip cut two 5" lengths of panel to create partial panels for the end pieces.

Use 2" (minimum) corrosion-resistant nails to penetrate the wood substrate at least 3/4". Do not drive nails at an angle. Do not drive nails down tightly. Drive nails until there is 1/16" between nail head and the nail flange.

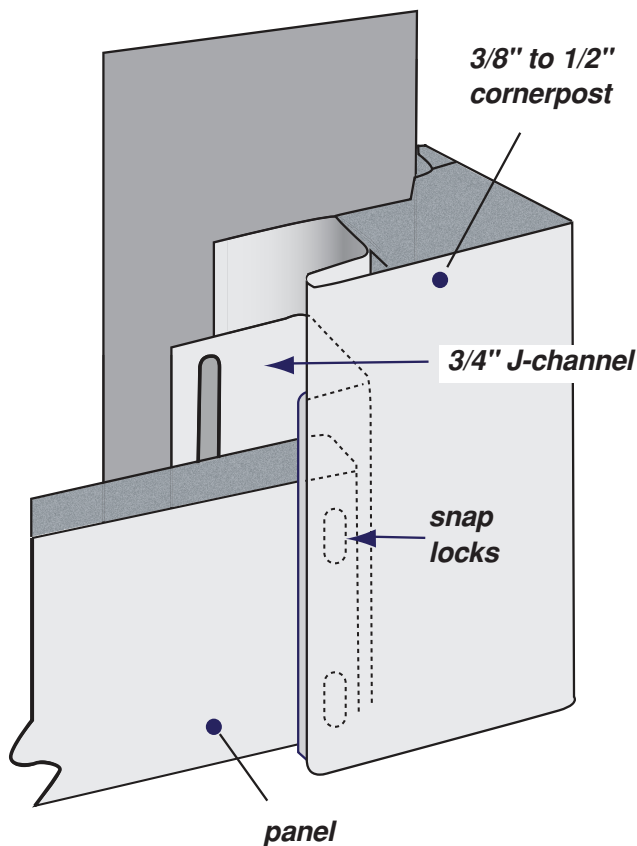
Always position top most nail at the top of the top most full nail slot. Center the remaining nails in the slots. Space the nails vertically 12" o.c.

Expansion and contraction of vertical siding

In a vertical siding application, most of the expansion is downward. One-third of the total expansion will occur at the top of a panel, and 2/3 of the total expansion will occur at the bottom. Leave 3/16" at the top and 3/8" at the bottom when the temperature is above 40° F. When the temperature is 40° or below, leave 1/4" at the top and 1/2" at the bottom. Make sure the bottom of the panel can expand downward without interference.

Fitting into trim pieces

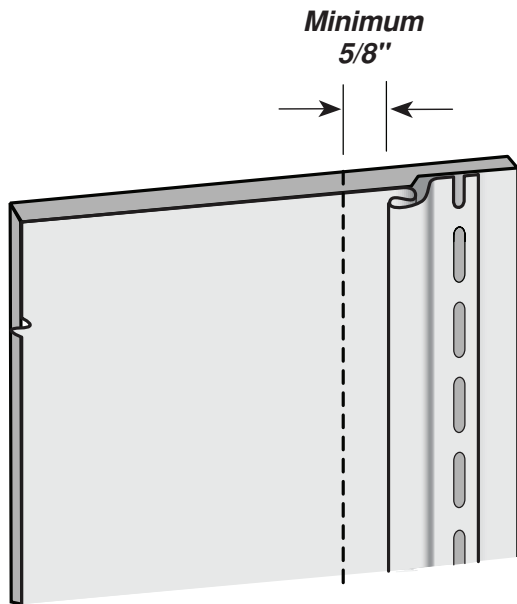
Around windows, doors and other openings allow a 1/4" minimum gap between the siding and the trim. If an opening occurs near the lower end of a panel, be sure to allow room for downward expansion as described in the instructions above.



Starting and finishing with partial panels

Cut the first of the partial panels.

NOTE: If you start with a full panel, create a starter piece by rip cutting the nail hem from a panel (minimum 5/8").



- Mark the cut line by measuring from the nail hem edge.
- Rip cut the panel. Do not cut off the nail hem.
- Use a snap lock punch to create locking tabs 6" apart along the cut edge. In some cases (if the glue bead is too close from the cut edge), a portion of the foam backer may need to be removed in order to snap lock punch the cut edge.
- Before installing this partial panel into the outside cornerpost, install a piece of $\frac{3}{4}$ " J-channel inside the 1- $\frac{1}{4}$ " J-channel to receive the partial panel locking tabs. Remember to allow $\frac{1}{4}$ " gap for expansion/contraction.
- Slide the cut edge of the panel into the J-channel, making sure to engage the snap locks.
- Using a level, make certain this panel is plumb.
- Nail vertically every 12" following the fastening procedure for vertical siding.
- Install the next panel. Lock the panel into the preceding panel, and follow same fastening instructions for succeeding panels.

To finish the first course of the wall, rip cut the panel to size and snap lock punch locking tabs every 6" on the cut edge. Install a piece of $\frac{3}{4}$ " J-channel inside the 1- $\frac{1}{4}$ " J-channel to receive the cut edge locking tabs.

NOTE: When necessary, cut panels to fit around doors and windows. When marking the cut, remember to allow for expansion. The starting and finishing procedure described above is also used when fitting partial panels around windows and doors.

If you have any questions about these instructions or would like a copy of CertainTeed's *Vinyl and Polymer Siding Installation Guide* (CTS205), please call us at 800-233-8990. The *Installation Guide* is also available at certainteed.com