



FEATURES

- Flush mount gate closer
- Closes gates 50 to 125 lbs. easily and gently
- Installs on top/middle/bottom
- Works with left and right hand gates
- Will work with most in-line hinge arrangements
- Mounts on opening side of gate
- Pushes the gate closed
- Adjustable closing speed
- Adjustable latching speed
- Hold open feature

OPTIONS

Black, White



DIMENSIONS & SPECIFICATIONS

Dimensions:

- Length: 12 1/2"
- Width: 2 1/2"
- Depth: 2 3/8"

Max. Gate Weight: 125 lbs.

Max. Gate Width: 54"

Max. Opening Angle: 90 degrees

Type of Gate Material: Metal, Vinyl, Wood

Closing/Latching: Adjustable

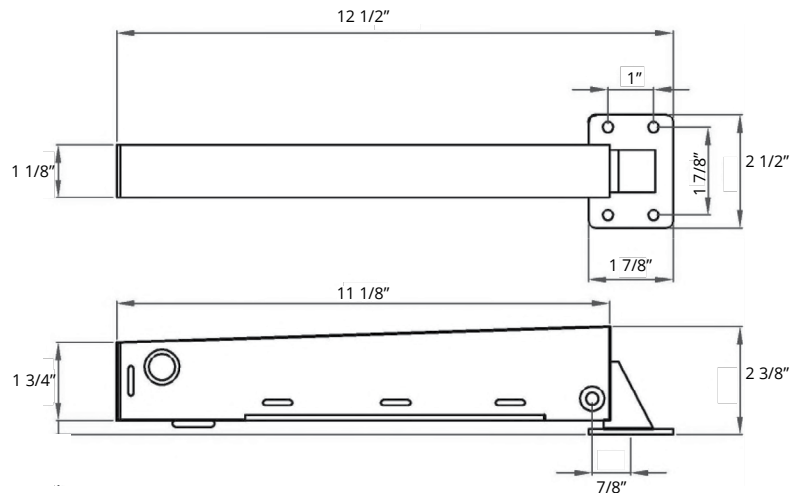
Material: Steel

Color: Black or White

Finish: Powder coated

Hinge Arrangements: In-line

Opening Pressure: Variable depending on gate size



The TB175 may not be compatible with offset hinge arrangements or arrangements that create more than 2" between gate post and gate, as it is critical to mount the closer as close as possible to the gate's pivot point.

ORDERING INFORMATION

Finish	Order #:
Black	TB175B
White	TB175W

