

8 PARTS LISTS

Each item number on the following parts lists can be matched with the item number shown on the corresponding assembly drawing as indicated below.

Refer to Figure 8-1.

Item Number	Part Number	Quantity	Description
1	0400574	1	TOP SHEAVE BRACKET
2	0400575	4	SPRING,BOLT, & NUT – TOP SHEAVE
3	7300653	1	SNAP SAFETY HOOK
	5803519	1	CARRIAGE BOLT
	5806370	1	LOCKNUT
4	0401424	1	TOP SHEAVE BRACKET MTG HDWR KIT consisting of: 4ea carriage bolt & wing nut
5	0420405		CROSS TIE BRACE*
6	0401499	2	PIVOT BRACKET GUIDE ROLLER ASSY
7	0410218	4	PIVOTING HOIST PLATFORM TROLLEY WHEEL ASSY HD
	5806282	4	HEX HEAD CAP SCREW
	5806370	4	HEX NUT TOPLOCK
8	0400619	8	TROLLEY WHEEL
	5806454	8	FLAT WASHER SPACER
	5806370	8	HEX HEAD CAP SCREW
	0410709	4	PIVOTING TRACK TROLLEY WHEEL SPACER
9	0410303	1	PIVOTING PLATFORM MAIN FRAME
10	7303600	1	SHEAVE
	5806253	1	HEX HEAD CAP SCREW
	5806368	1	HEX NUT TOPLOCK
12	0420401	2	TRACK SWIVEL SHOE MTG BRKT*
13	0420402	2	TRACK SWIVEL SHOE*
14	0420403	2	CROSS TIE STIFFENER
15	0400826	8	GUIDE ROLLER WHEEL
	5806250	4	HEX HEAD CAP SCREW
	5806406	4	FLAT WASHER SAE
	5806368	4	HEX NUT TOPLOCK
	0410706	4	PIVOTING TRACK GUIDE ROLLER SPACER

20	0400828		TRACK SPLICE PLATE
21	7303600	1	SHEAVE
	5806326	1	CARRIAGE BOLT
	5806370	1	HEX NUT TOPLOCK
	5800831		TRACK SPLICE PLATE NUT & BOLT 1ea.
	0482800		TRACK SPLICE PLATE KIT consisting of: 2 splice plates, 8 EA. Nut & bolt.
	0401498		TRACK SWIVEL SHOE CONVERSION KIT* consisting of: 2 shoes & 2 mounting brackets.
SEE FIGURE 8-2 FOR PIVOTING TRACK ITEMS 22 THRU 31			
22	0410330	1	PIVOTING TRACK 400 MID-SECTION WELDMENT
23	7304104	6	POLYMER ROLLER
	5800150	2	HEX HEAD CAP SCREW 5-1/2"
	5806255	2	HEX HEAD CAP SCREW 3"
	5806368	4	HEX NUT TOPLOCK
24	0410548	2	PIVOT HINGE ANGLE LH
	5806250	2	HEX HEAD CAP SCREW 1-3/4"
	5806368	2	HEX NUT TOPLOCK
25	0410551	2	PIVOT HINGE ANGLE RH
	5806250	2	HEX HEAD CAP SCREW 1-3/4"
	5806368	2	HEX NUT TOPLOCK
26	0410542	2	PIVOT ADJUST ANGLE LH
	5806251	2	HEX HEAD CAP SCREW 2"
	5806250	2	HEX HEAD CAP SCREW 1-3/4"
	5806368	4	HEX NUT TOPLOCK
27	0410545	2	PIVOT ADJUST ANGLE RH
	5806251	2	HEX HEAD CAP SCREW 2"
	5806250	2	HEX HEAD CAP SCREW 1-3/4"
28	0410309	2	PIVOTING TRACK PIVOT HINGE WELDMENT LH
	5806368	4	HEX NUT TOPLOCK
	5806245	4	HEX HEAD CAP SCREW 3/4"
	5806368	4	HEX NUT TOPLOCK
29	0410312	2	PIVOTING TRACK PIVOT HINGE WELDMENT RH
	5806245	6	HEX HEAD CAP SCREW 3/4"
	5806368	6	HEX NUT TOPLOCK
30	0410554	4	PIVOTING TRACK HINGE COMM LINK
	5806245	8	HEX HEAD CAP SCREW 3/4"
	5806368	4	NEX NUT TOPLOCK
	5806383	4	WING NUT 3/8-16
31	0410563	4	PIVOTING TRACK END SECTION RAIL

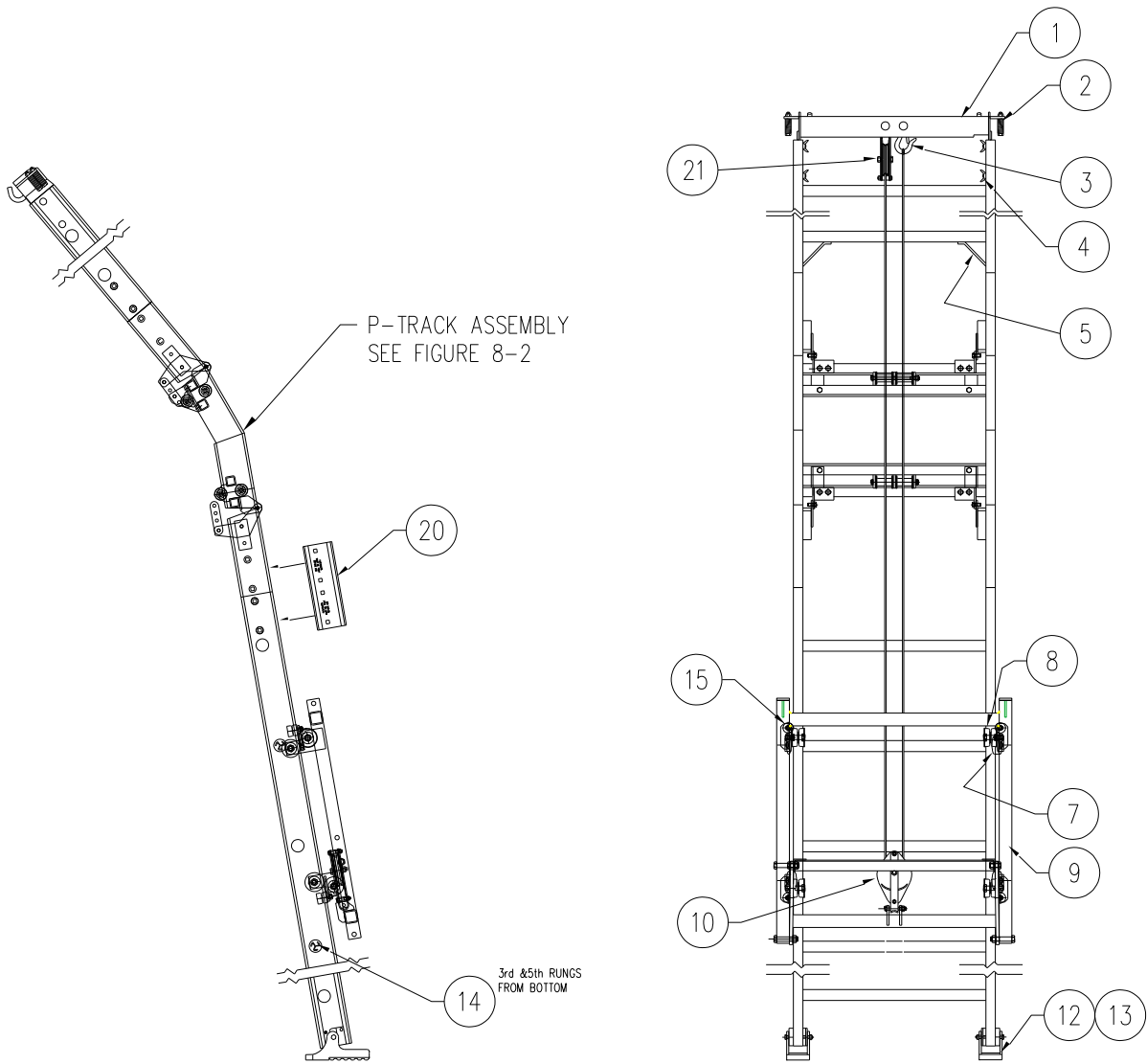


Figure 8-1.
Pivoting Platform Hoist Assembly Drawing

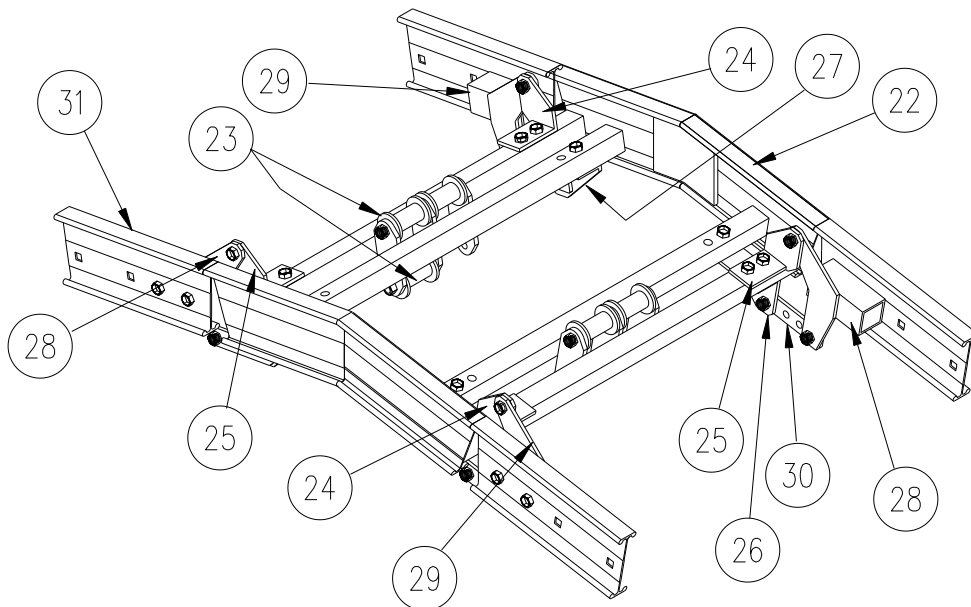


Figure 8-2.
Pivoting Track Assembly Drawing

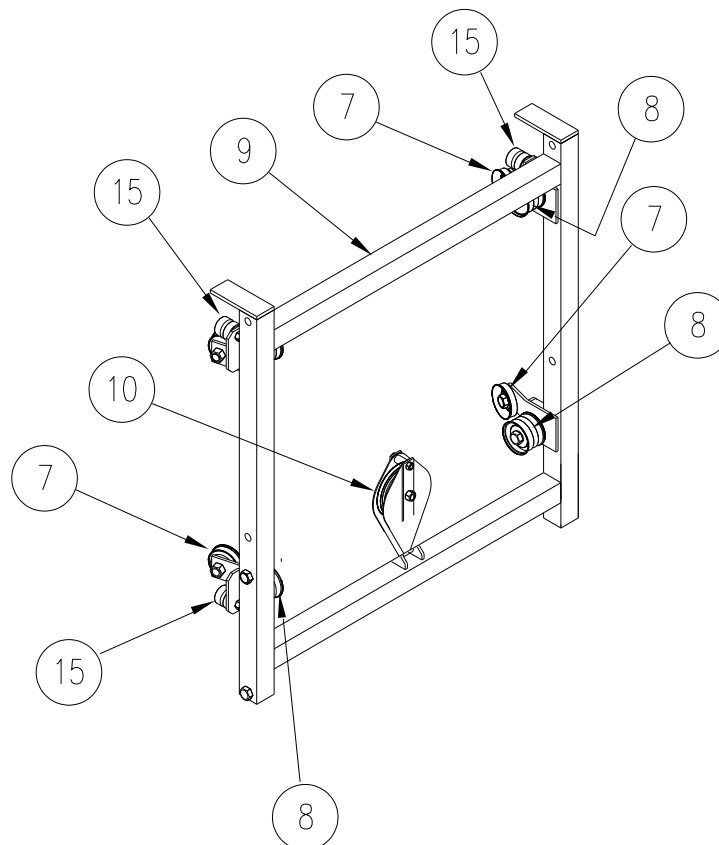


Figure 8-3.

Pivoting Platform Assembly Drawing

8.2 HANDIHOIST

Refer to Figure 8-4

Item Number	Part Number	Quantity	Description
1	5806302	1	5/16-18 X 3/4 PANHEAD SCREW
2	5806401	1	5/16 WASHER
3	5806367	1	5/16-18 HEX LOCK NUT
4	7304300	1	5/32 CA ASSY X 133'
5	5800142	2	5/16 SQUARED SNAP CLEVIS PIN
6	5800138	1	5/16 ROUND SNAP CLEVIS PIN
7	0409714	1	HANDIHOIST HANDWHEEL
8	5806250	1	3/8-16 X 1-3/4 HEX BOLT
9	5806406	9	3/8 FLAT WASHER
10	3709042	1	CW PAWL
11	3705916	1	CW R18 WINCH PAWL SPACER
12	5805936	1	CW R18 PAWL SPRING
13	5806269	2	3/8-16 X 6-1/2 HEX BOLT
14	5806377	5	3/8-16 HEX NUT
15	5806756	1	1/4 X 1 SS ROLL PIN
16	5806141	5	3/8-16 SS NYLOCK HEX NUT
17	3709050	2	CW R18 SPACER
18	6709886	1	35A20 SPROCKET 1" BORE
19	5892000	1	1 SS FLAT WASHER
20	5806417	1	3/4 FLAT WASHER
21	5806191	1	3/4-16 NYLOCK HEX JAM NUT
22	0409869	2	HANDIHOIST SIDE PLATE
23	6709889	1	HH DRUM CHAIN QUICK LINK
24	0409636	1	HH DRUM CHAIN ASSY (INCL #23)
25	0409631	1	HANDIHOIST DRUM AND BEARING ASSY
26	0409867	1	HANDIHOIST DRUM SHAFT
27	5809882	1	1/4 X 1/4 X 1-1/2 MACHINE KEY
28	0409701	1	HANDIHOIST INPUT SHAFT WLDMNT ZCC
29	6703833	1	4" OD FRICTION DISC
30	3701501	1	CW BRAKE RATCHET
31	5100601	2	1-1/2 OD X 7/8 ID THRUST BEARING
32	0409711	1	HANDIHOIST ACME NUT WLDMNT
33	5806400	1	1/2" FLAT WASHER
34	5816153	1	1/2-20 CENTERLOCK HEX NUT
35	5806206	4	1/4-20 X 3/4 CZP HEX BOLT
36	5806131	4	1/4-20 CZP NYLOCK HEX NUT
37	5806247	4	3/8-16 X 1 HEX BOLT
38	5800119	4	3/8 SPLIT LOCK WASHER
39	0409607	1	HANDIHOIST WINCH ASSY(LESS FRAME)
40	0409705	1	HANDIHOIST FRAME WLDMNT
41	0409708	1	HANDIHOIST COVER WLDMNT
42	5806266	1	3/8-16 SS ACORN NUT
43	3603670	1	HANDWHEEL SPINNER KNOB
44	5803521	1	3/8-16 X 2-3/4 HEX BOLT
45	5100607	2	FLANGED BEARING 1 X 1-1/4 X 3/4 BRONZE

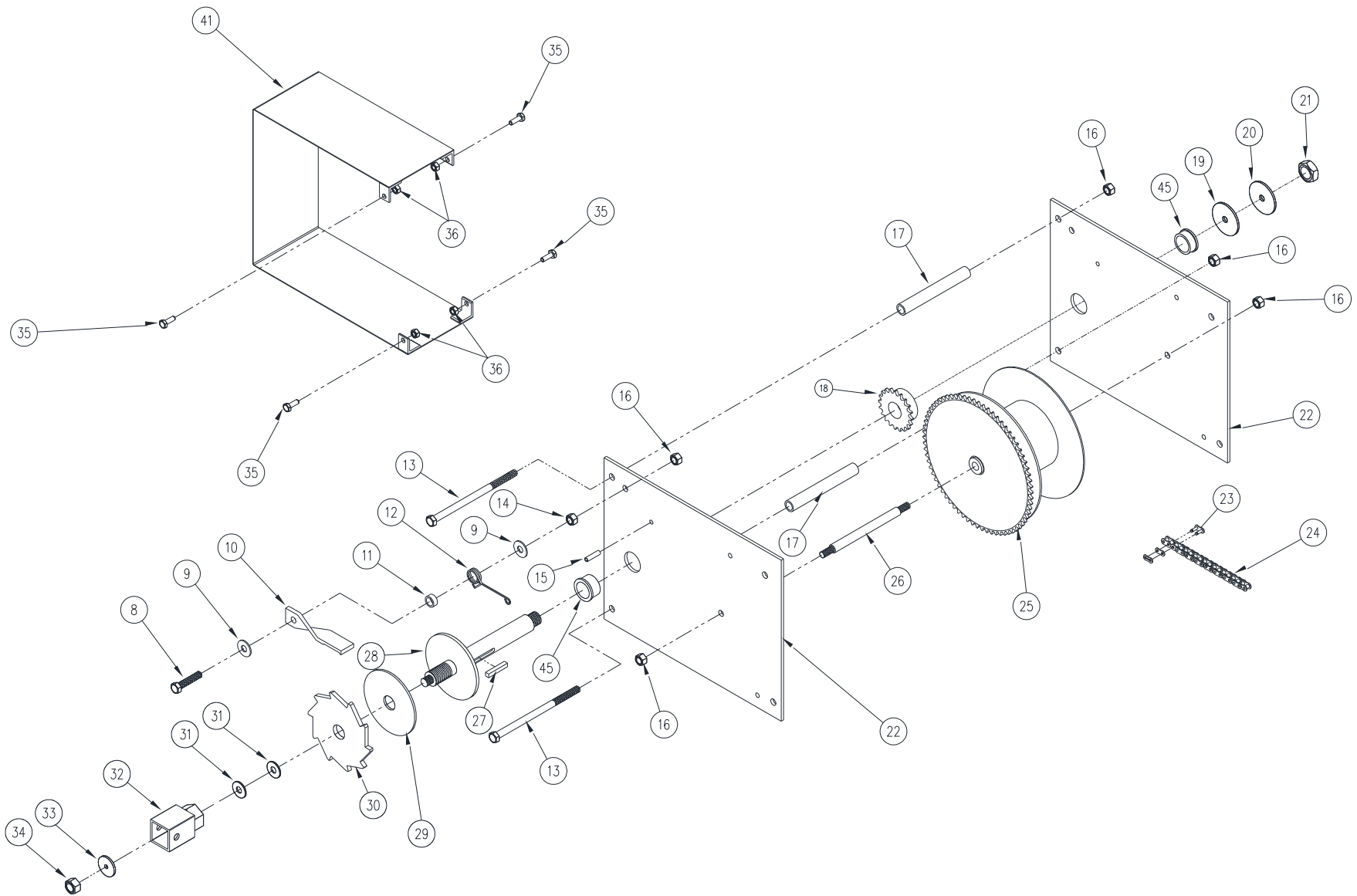


Figure 8.4
Handihoist Assembly Drawing