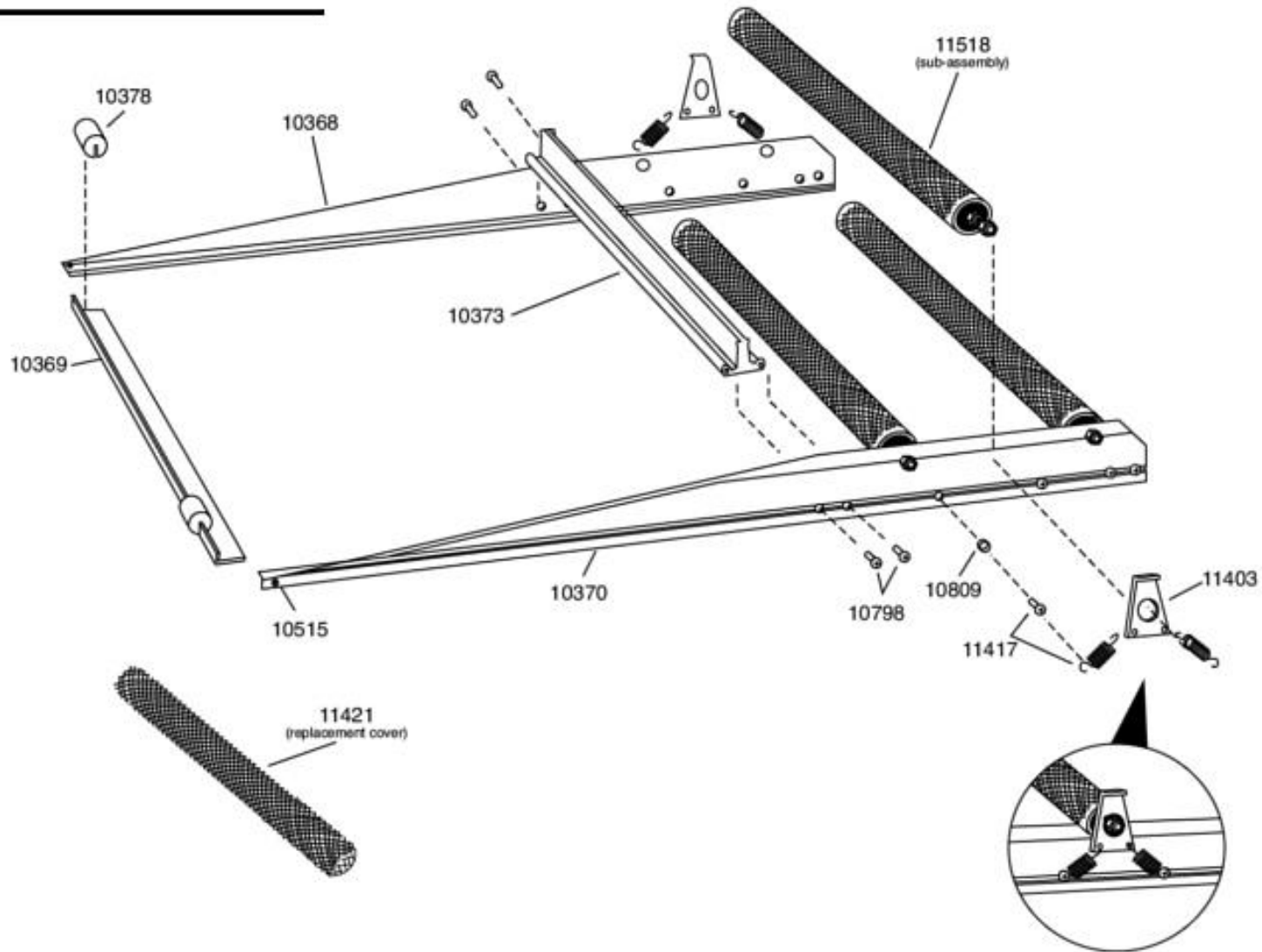


Specifications

The Professional
pro·Coiler.



Specifications

Tapco Pro Coiler Replacement Parts	
Item #	Description
10368	Left Side Rail
10369	Front Support Bar
10370	Right Side Rail
10372	Roller Clip
10373	Support Bar
10378	Plastic Coil Guard
10515	10-24 x 1/2 Phil Pan Hd
10798	10-24 x 5/8 Type F Phil Hd Screw
10809	Nylon Spacer
11417	Pivot Spring Kit (3) Roller/Pivot Spring 10794 (3) 10-24 x 1/2 Phil HD Screw 10515
11421	Replacement Roller Cover Kit (3) Roller Covers 10796
11518	Roller Tube (Sub-Assembly)