

## PARAPET ROOFING ANCHOR

### Part ID: 65077Z

The Tie Down Parapet Wall Fall Arrest Anchor Point is an ideal option when workers need a quick tie off point for leading edge work, overhead tie off while working on a lower level surface and in use with an HLL for greater mobility. Not just for rooftops, The Tie Down Parapet Wall Fall Arrest Anchor can be used for interior work as well.

#### Single Point Tie-Off For Fall Arrest

- The Parapet Anchor System can be used as a single point tie-off anchor for fall arrest.

#### Durable Reusable System

- This durable, reusable, and versatile system includes a safety pin for secure setup and is reinforced for long life.

#### Works With Lanyards and Retractable

- The Parapet Anchor System is rated for 5000 lbs. and can be used with shock absorbing lanyards, rope lifelines, and SRL's.

#### Can be Used In Horizontal Lifeline System

- Workers can incorporate a Horizontal Rope Lifeline System up to a 20 ft. span for increased mobility for one worker only.

#### Adjustable

- By using the adjustable screw, this Parapet Guardrail Clamp can adjust to wall widths between 4" and 15"

\*\* Meets OSHA standards for guardrail and an anchor point

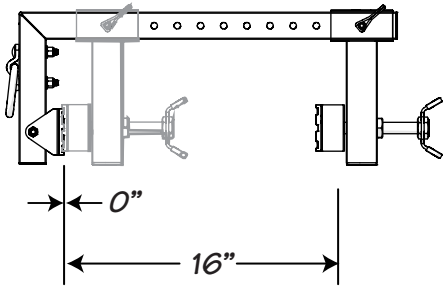


**MADE  
★ IN THE ★  
USA**

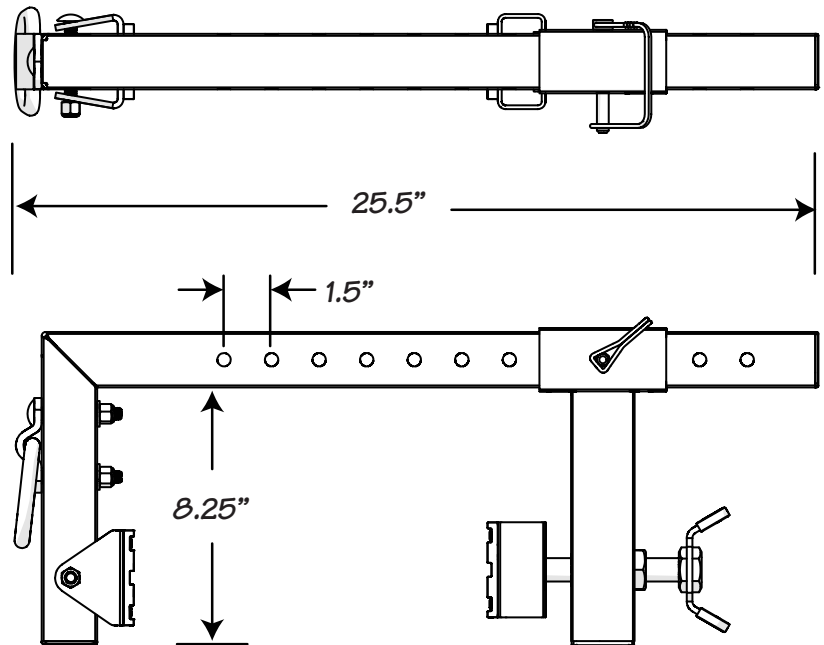
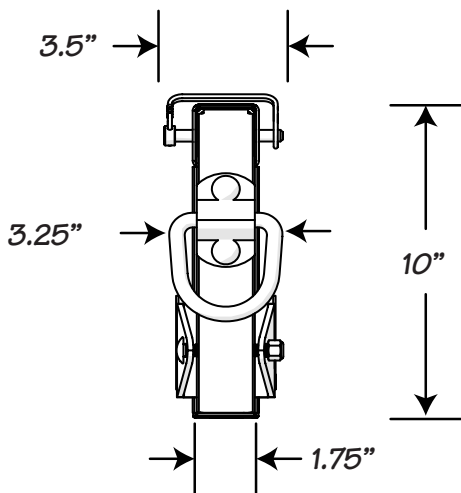


See reverse side for  
additional specifications

**PARAPET  
ROOFING ANCHOR**  
Part ID: 65077Z



*Adjustable for Parapet Walls*



E1785 Rev. 8/10/20