

RESIDENTIAL LADDER DOCK

Part ID: 70832

Designed for the professional contractor, the residential Ladder Dock by Tie Down is the safe way to secure any extension ladder.

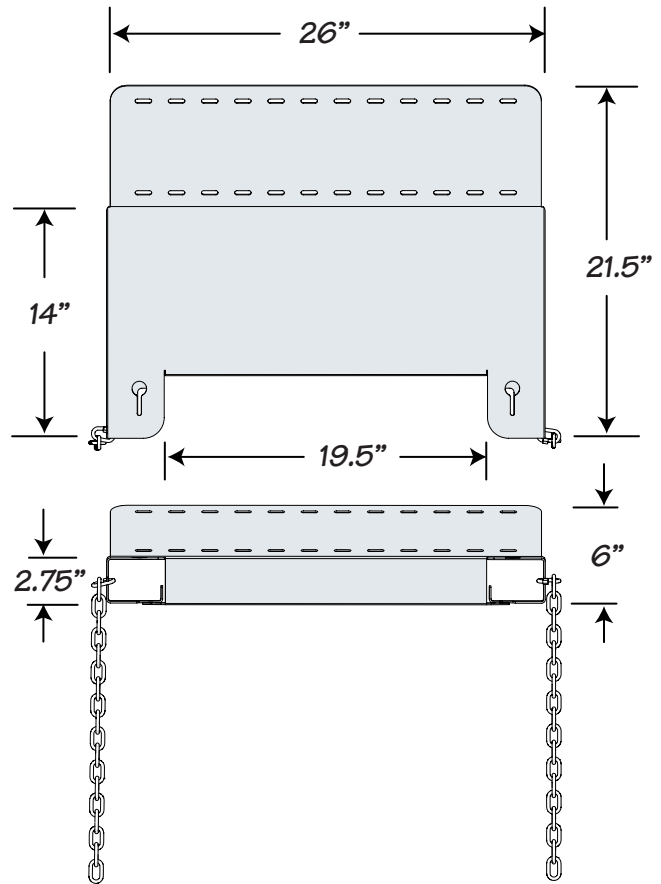
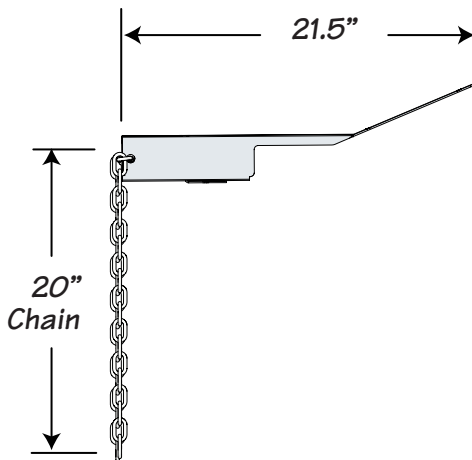
- Made of Industrial Grade Aluminum
- Fits a Variety of Roof Pitches Up to a 6/12 Pitch.
- Safety Chains for Securement
- Slip Resistant
- Non Corrosive Design

Materials:

1/8" Diamond Plate Aluminum
Weight: 9.0 pounds



On line
Instructions



E1775 Rev. 7/9/20