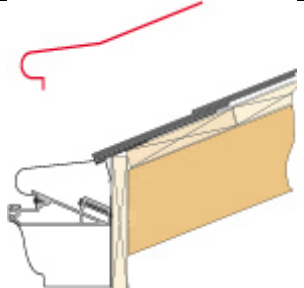
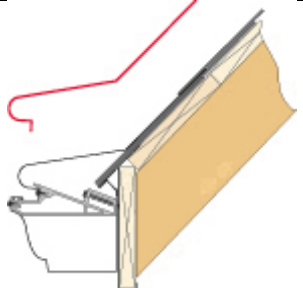
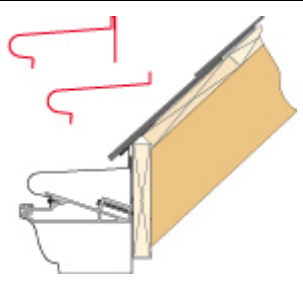
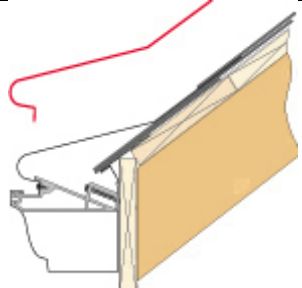
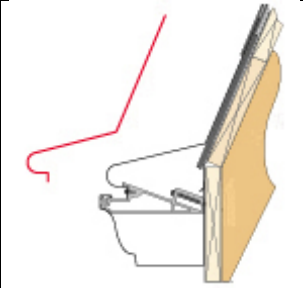
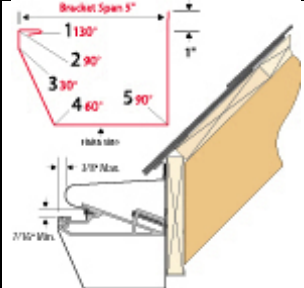


# Specifications

## Possible Mounts

					
3/12 Pitch Under Shingle	12/12 Pitch Over Shingle	12/12 Pitch Fascia Mount	8/12 Pitch Over Shingle	18/12 Pitch Over Shingle	12/12 Box Gutter Fascia Mount